

iwata



110-120v Oil-Free Quiet Air Compressor

Operating Instructions & Parts Manual

MODEL	MOTOR (HP)	CFM @ 40PSI	CFM @ 90PSI	TANK CAPACITY (gal)
IWC28S	2	6.4	5.3	8



Conforms to UL 1450
Certified to CAN/CSA Std.
CSA C22.2 NO. 68-18

Manufactured For
ANEST IWATA-MEDEA, Inc.
Portland, OR 97217



GENERAL HAZARD WARNING

This manual contains important instructions for operating this product. For your safety, and the safety of others, be sure to read this entire manual thoroughly before operating the product.

Failure to properly follow all the instructions and precautions can cause you and others to be seriously hurt or killed.

TABLE OF CONTENTS

INTRODUCTION	2
IMPORTANT SAFETY INSTRUCTIONS.....	3
LOCATIONS OF IMPORTANT LABELS	6
AIR COMPRESSOR COMPONENTS	7
PRE-OPERATION CHECKLIST	8
Package Contents & Assembly.....	8
Inspect For Damage.....	9
Save Packaging.....	9
Compressor Location.....	9
Electrical Power	10
OPERATING THE AIR COMPRESSOR	10
Introduction.....	10
Assembly.....	10
Test Run.....	11
Daily Operation.....	11
MAINTENANCE.....	12
Draining The Air Tank	12
Changing The Air Filter	12
Testing For Leaks	12
Pressure Switch.....	12
Cleaning.....	12
STORAGE.....	12
TROUBLESHOOTING	13
SPECIFICATIONS	14
Electrical Circuit.....	14
Air Passage Drawing	14
WARRANTY.....	15

STOP! Do not return your air compressor to the store/dealer where it was purchased without contacting the manufacturer listed below.

INTRODUCTION

How to find a local service center:

Even quality built equipment might need service or repair parts. Contact the Anest Iwata-Medea Customer Care department:

Phone: 503-253-7308 M-F, 8am-4:30pm PST

Online: www.iwata-airbrush.com

Please provide the information below:

- Model number and Serial number and specifications shown on the Model number/Serial number plate.
- Part number or numbers shown in the parts list section of the owner's manual are for your air compressor model.
- A brief description of the trouble with the air compressor.

IMPORTANT SAFETY INSTRUCTIONS

Safety messages & Signal Words:

⚠ DANGER

Indicates an immediate hazardous situation which, if not avoided, will result in death or serious injury to the operator or to bystanders.

⚠ WARNING

Indicates a potentially hazardous situation which, if not avoided, could result in death or serious injury to the operator or to bystanders.

⚠ CAUTION

Indicates a potentially hazardous situation which, if not avoided, may result in moderate or minor injury to the operator or to bystanders.

NOTICE

Indicates a situation which, if not avoided, may result in damage to product components or other property.

⚠ DANGER



RISK OF CUTTING

Moving parts can cause severe trauma.

Keep hands and feet away from rotating parts, tie up long hair, remove jewelry, and **DO NOT** wear loose clothing.

⚠ DANGER



SHOCK

There is a danger of electric shock.

Use only undamaged electrical cords.

DO NOT touch bare wires or receptacles.

DO NOT operate air compressor in wet weather or in wet conditions.

DO NOT touch air compressor or cords if hands or feet are wet.

Ensure that all cords are free of damage before connecting to the power supply.

Ensure that you have a sufficient electrical supply for supporting the requirements of the motor.

Improper installation of the grounding plug is able to result in a risk of electrical shock. When repair or replacement of the cord or plug is required, do not connect the grounding wires to either flat terminal. The wire with insulation having an outer surface that is green with or without yellow stripes is the grounding wire.

This product must be grounded. In the event of an electrical short circuit, grounding reduces the risk of electrical shock by providing an escape wire for the electrical current.

This product is equipped with a cord having a grounding wire with an appropriate grounding plug. The plug must be plugged into an outlet that is properly installed and grounded in accordance with local codes and ordinances.

This product is for use on a nominal 120-V circuit and has a grounding plug similar to the plug illustrated in sketch A. Only connect the product to an outlet having the same configuration as the plug.

Do not use an adapter with this product.

!WARNING



RISK TO BREATHING

Dust or dust-like particulates caused by power-sanding, sawing, grinding, drilling or any other construction-like activities can contain contaminants that are harmful to breathe.

Always use your air compressor in a well-ventilated and clean area.

Never breathe the air that comes directly out of the air compressor or air hose. This air is not suitable for breathing.

Always wear approved safety equipment. When performing dust-creating activities, securely wear properly-fit face masks or respirators.

If you feel ill from breathing while operating your air compressor, stop and seek medical attention immediately.

!WARNING



FLYING OBJECTS

Flying objects can cause injury to the eyes, head and other parts of the body.

Air-powered equipment and power tools are capable of propelling items (metal chips, fasteners and particulates) at high speed into the air and could result in injury.

Always wear approved head and eye protection.

Never point the air stream at any part of your body, or at another person or animal.

When operating the air compressor, make sure all other people and animals maintain a safe distance.

Do not move the air compressor when the air tank is under pressure.

Never use the air hoses to pull or move the air compressor.

Keep the air compressor on a flat surface.

!WARNING



HOT SURFACE



FIRE

Air compressor surfaces become hot during operation.

DO NOT touch hot surfaces, because they can cause severe burns.

Do not touch the air compressor's cylinder head. During operation, the cooling fins of the cylinder head and delivery pipe become hot.

Allow the air compressor to cool before touching it.

DO NOT place a storage cover on the unit during operation. Only place a cover on the air compressor after it has thoroughly cooled down.

!WARNING



EXPLOSION

Exercise caution when using pressurized air.

To prevent injury and for your general safety, only use high-pressure hoses, fittings and couplings designed for use with air compressors.

Inspect all hoses, fittings and couplings for leaks and wear. When leaks and wear are detected, stop use and replace those items immediately. Do not repair.

Never leave pressurized air in the air tank when performing maintenance.

Never leave the air compressor unattended with the power supply in use and the air hose connected.

⚠ WARNING



EXPLOSION

Improper care could lead to the air tank bursting or exploding.

Drain air tank daily or after each use to prevent moisture buildup in the air tank.

Rust can weaken the air tank and cause leaks or bursting. If rust is detected, replace tank immediately. Do not try to repair the air tank by welding, drilling or modifying it in any other way. These modifications can weaken the air tank and cause a hazardous condition.

If air tank develops a leak, replace the air tank immediately. Never repair, weld or make modifications to the air tank or its attachments.

Never make adjustments to the factory-set pressures.

Never exceed manufacturer's maximum-allowable pressure rating attachments.

Because of extreme heat, do not use plastic pipe or lead tin solder joints for a discharge line.

⚠ WARNING



EXPLOSION



FIRE

Use caution to minimize risk of fire or explosion.

It is normal for the air compressor motor and pressure switch to produce sparks while operating. If sparks come in contact with vapors from gasoline or solvents, they may ignite and cause a fire or explosion.

Abrasive tools such as grinders, drills and other tools are capable of making sparks that can ignite flammable materials.

Always operate the air compressor a safe distance away from flammable items. Use in well-ventilated areas.

Never exceed the maximum rated pressure.

⚠ CAUTION

Use caution when using extension cords.

Use an extension cord which is no more than 25' (7.6 m) long and at least 14 gauge.

Using an excessively long or thin-wired extension cord will cause severe damage to the motor.

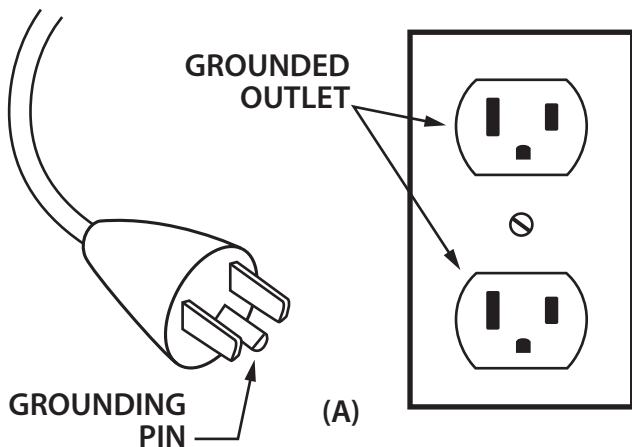
Use only a 3-wire extension cord that has a 3-blade grounding plug.

An undersized cord results in a drop in the line voltage and loss of power and overheating.

When in doubt, use a heavier gauge. The smaller the gauge the more current the cord can carry.

⚠ CAUTION

THIS EQUIPMENT INCORPORATES PARTS, SUCH AS SNAP SWITCHES, RECEPTACLES AND THE LIKE THAT TEND TO PRODUCE ARCS OR SPARKS, THERE, WHEN LOCATED IN A GARAGE, IT SHOULD BE IN A ROOM OR ENCLOSURE PROVIDED FOR THE PURPOSE, OR SHOULD BE 18 IN (45.7 CM) OR MORE ABOVE THE FLOOR.

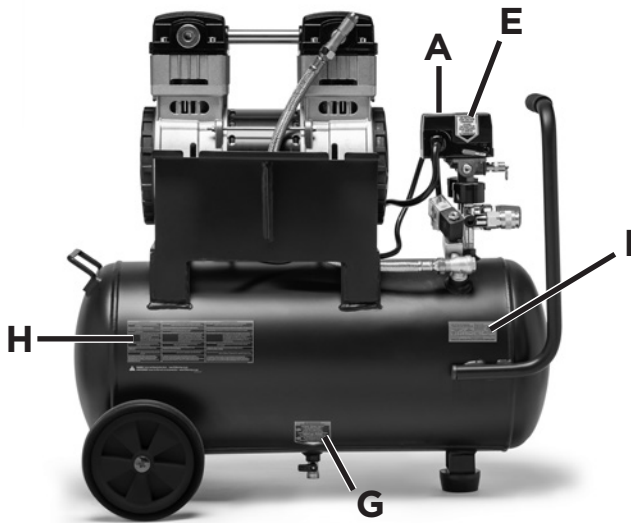
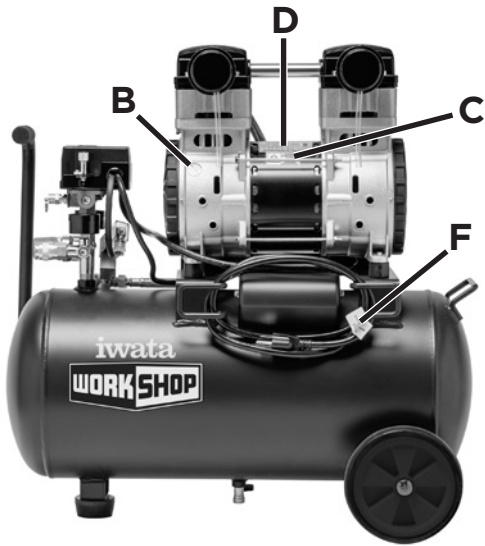













Quiet Oil-Free Air Compressor

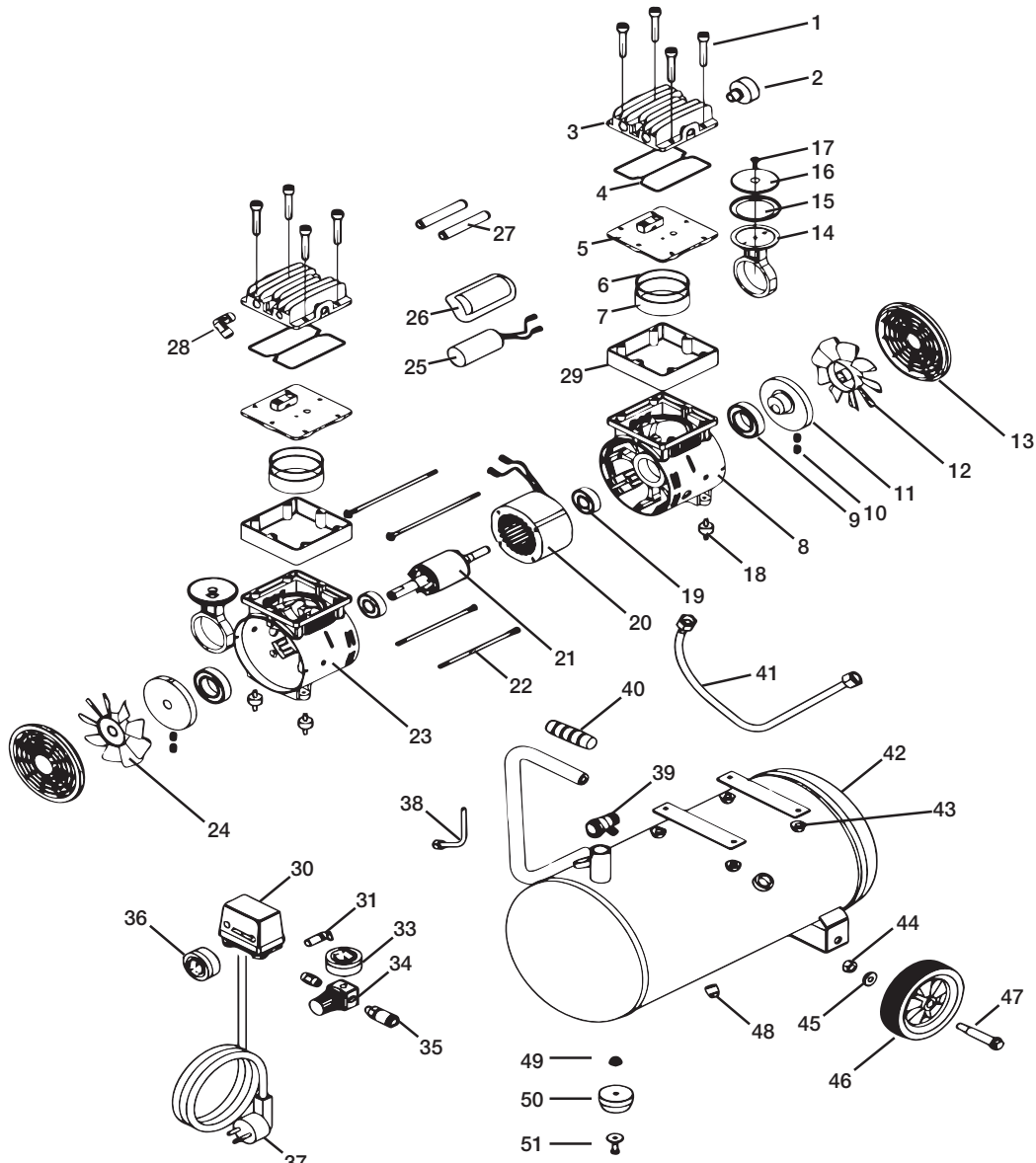
LOCATIONS OF IMPORTANT LABELS

Read these important labels before operating.

These labels provide important safety and maintenance information. These labels should be considered as permanent parts of the air compressor. Should any of these labels become illegible, damaged or removed, please contact Anest Iwata-Medea Customer Care at 503-253-7308 M-F, 8am-4:30pm PST.



PRODUCT LABEL																																																	
A	 <p>WARNING AVERTISSEMENT</p> <p>DO NOT ADJUST FACTORY SETTINGS. TO REDUCE RISK OF ELECTRICAL SHOCK, DO NOT REMOVE COVER. PRESSION CONTROLS SET AT FACTORY FOR MAXIMUM SAFE OPERATION. NE PAS MODIFIER LES REGLAGES D'USINE. POUR REDUIRE LE RISQUE DE CHOC ELECTRIQUE, NE PAS RETIRER LE COUVERCLE. LES COMMANDES DE PRESSION SONT REGLEES EN USINE POUR ASSURER UNE FONCTIONNEMENT OPTIMAL ET SECRETEMENT.</p>																																																
B																																																	
C	 <p>WARNING AVERTISSEMENT</p> <p>HOT SURFACES. Do NOT touch. Allow to cool before servicing. SURFACES CHAUDES. Ne PAS toucher. Laisser refroidir avant de procéder à l'entretien.</p>																																																
D	<table border="1"> <tr> <td colspan="2">AIR PUMP POMPE À AIR</td> <td colspan="2">Conforms To UL Std. 1450</td> <td rowspan="2">  </td> </tr> <tr> <td colspan="2">MODEL MODÈLE</td> <td colspan="2">S/No.</td> </tr> <tr> <td colspan="2">SP9421</td> <td colspan="2">000000000</td> <td>Intertek 5009499</td> </tr> <tr> <td>Voltage</td> <td>Hz</td> <td>A</td> <td>Phase</td> <td>RPM</td> <td>Max. Working Pressure</td> </tr> <tr> <td>120</td> <td>60</td> <td>13</td> <td>1</td> <td>1680</td> <td>95-125PSI</td> </tr> <tr> <td colspan="6">ANEST IWATA-MEDEA, INC. MADE IN CHINA FABRIQUE EN CHINE</td> </tr> </table>	AIR PUMP POMPE À AIR		Conforms To UL Std. 1450			MODEL MODÈLE		S/No.		SP9421		000000000		Intertek 5009499	Voltage	Hz	A	Phase	RPM	Max. Working Pressure	120	60	13	1	1680	95-125PSI	ANEST IWATA-MEDEA, INC. MADE IN CHINA FABRIQUE EN CHINE																					
AIR PUMP POMPE À AIR		Conforms To UL Std. 1450																																															
MODEL MODÈLE		S/No.																																															
SP9421		000000000		Intertek 5009499																																													
Voltage	Hz	A	Phase	RPM	Max. Working Pressure																																												
120	60	13	1	1680	95-125PSI																																												
ANEST IWATA-MEDEA, INC. MADE IN CHINA FABRIQUE EN CHINE																																																	
E																																																	
F	<table border="1"> <tr> <td> <p>WARNING! DO NOT USE EXTENSION CORD. USE AIR HOSE EXTENSION ONLY. AVERTISSEMENT! NE PAS UTILISER DE RALLONGE ELECTRIQUE. UTILISER UNIQUEMENT UNE EXTENSION DE FLEXIBLE D'AIR.</p> </td> <td> <p>WARNING! DO NOT USE EXTENSION CORD. USE AIR HOSE EXTENSION ONLY. AVERTISSEMENT! NE PAS UTILISER DE RALLONGE ELECTRIQUE. UTILISER UNIQUEMENT UNE EXTENSION DE FLEXIBLE D'AIR.</p> </td> </tr> </table>	<p>WARNING! DO NOT USE EXTENSION CORD. USE AIR HOSE EXTENSION ONLY. AVERTISSEMENT! NE PAS UTILISER DE RALLONGE ELECTRIQUE. UTILISER UNIQUEMENT UNE EXTENSION DE FLEXIBLE D'AIR.</p>	<p>WARNING! DO NOT USE EXTENSION CORD. USE AIR HOSE EXTENSION ONLY. AVERTISSEMENT! NE PAS UTILISER DE RALLONGE ELECTRIQUE. UTILISER UNIQUEMENT UNE EXTENSION DE FLEXIBLE D'AIR.</p>																																														
<p>WARNING! DO NOT USE EXTENSION CORD. USE AIR HOSE EXTENSION ONLY. AVERTISSEMENT! NE PAS UTILISER DE RALLONGE ELECTRIQUE. UTILISER UNIQUEMENT UNE EXTENSION DE FLEXIBLE D'AIR.</p>	<p>WARNING! DO NOT USE EXTENSION CORD. USE AIR HOSE EXTENSION ONLY. AVERTISSEMENT! NE PAS UTILISER DE RALLONGE ELECTRIQUE. UTILISER UNIQUEMENT UNE EXTENSION DE FLEXIBLE D'AIR.</p>																																																
G																																																	
H	<table border="1"> <thead> <tr> <th>A WARNING</th> <th>A ADVERTENCIA</th> <th>A AVERTISSEMENT</th> </tr> </thead> <tbody> <tr> <td>READ MANUAL. TO REDUCE THE RISK OF ELECTRIC SHOCK, READ AND UNDERSTAND THE OPERATING MANUAL BEFORE USING THIS TOOL. AVERTISSEMENT: LIREZ LE MANUEL D'UTILISATION AVANT D'UTILISER L'APPAREIL.</td> <td>LEER EL MANUAL. PARA REDUCIR EL RIESGO DE CHOQUE ELÉCTRICO, LEA Y ENTENDEA BIEN EL MANUAL DE INSTRUCCIONES ANTES DE USAR ESTE EQUIPO. AVERTISSEMENT: LIREZ LE MANUEL D'UTILISATION AVANT D'UTILISER L'APPAREIL.</td> <td>LEER EL MANUAL. PARA REDUCIR EL RIESGO DE CHOQUE ELÉCTRICO, LEA Y ENTENDEA BIEN EL MANUAL DE INSTRUCCIONES ANTES DE USAR ESTE EQUIPO. AVERTISSEMENT: LIREZ LE MANUEL D'UTILISATION AVANT D'UTILISER L'APPAREIL.</td> </tr> <tr> <td>WEAR PROTECTIVE GEAR TO PROTECT YOUR EYES AND FACE. AVERTISSEMENT: PORTER UN ÉQUIPEMENT DE PROTECTION PERSONNELLE POUR PROTÉGER VOS YEUX ET VOTRE VISAGE.</td> <td>USAR PROTECCIÓN PARA LOS OJOS QUE CUMPLA CON EL ESTÁNDAR ANSI Z87.1. AVERTISSEMENT: USAR PROTECCIÓN PARA LOS OJOS QUE CUMPLA CON EL ESTÁNDAR ANSI Z87.1.</td> <td>PORTER LES LUNETTES DE PROTECTION COMPLÈTES. L'ÉQUIPEMENT DE PROTECTION PERSONNELLE DOIT ÊTRE CONFORME À LA NORME ANSI Z87.1.</td> </tr> <tr> <td>DO NOT BREATHE AIR FROM THIS TOOL. AVERTISSEMENT: NE PAS RESPIRER L'AIR DE CETTE OUVRIÈRE.</td> <td>NO RESPIRE EL AIRE QUE SALE DE LA OUVRIERA. AVERTISSEMENT: NO RESPIRE EL AIRE QUE SALE DE LA OUVRIERA.</td> <td>BOUSSER RESPIRER NE PAS D'INSPIRER L'AIR QUI SORT DE LA OUVRIÈRE. NE PAS RESPIRER L'AIR QUI SORT DE LA OUVRIÈRE.</td> </tr> <tr> <td>DO NOT OPERATE THIS TOOL IN A FLAMMABLE OR EXPLOSIVE ENVIRONMENT. AVERTISSEMENT: NE PAS UTILISER CETTE OUVRIÈRE DANS UN ENVIRONNEMENT INFLAMMABLE OU EXPLOSIF.</td> <td>NO OPERAR ESTE EQUIPO EN UN ENTORNO INFLAMMABLE O EXPLOSIVO. AVERTISSEMENT: NO OPERAR ESTE EQUIPO EN UN ENTORNO INFLAMMABLE O EXPLOSIVO.</td> <td>NE PAS UTILISER CETTE OUVRIÈRE DANS UN ENVIRONNEMENT INFLAMMABLE OU EXPLOSIF. NE PAS UTILISER CETTE OUVRIÈRE DANS UN ENVIRONNEMENT INFLAMMABLE OU EXPLOSIF.</td> </tr> <tr> <td>DO NOT OPERATE THIS TOOL IN A DANGEROUS ENVIRONMENT. AVERTISSEMENT: NE PAS UTILISER CETTE OUVRIÈRE DANS UN ENVIRONNEMENT DANGEREUX.</td> <td>NO OPERAR ESTE EQUIPO EN UN ENTORNO PELIGROSO. AVERTISSEMENT: NO OPERAR ESTE EQUIPO EN UN ENTORNO PELIGROSO.</td> <td>NE PAS UTILISER CETTE OUVRIÈRE DANS UN ENVIRONNEMENT DANGEREUX. NE PAS UTILISER CETTE OUVRIÈRE DANS UN ENVIRONNEMENT DANGEREUX.</td> </tr> <tr> <td>DO NOT OPERATE THIS TOOL IN A DANGEROUS ENVIRONMENT. AVERTISSEMENT: NE PAS UTILISER CETTE OUVRIÈRE DANS UN ENVIRONNEMENT DANGEREUX.</td> <td>NO OPERAR ESTE EQUIPO EN UN ENTORNO PELIGROSO. AVERTISSEMENT: NO OPERAR ESTE EQUIPO EN UN ENTORNO PELIGROSO.</td> <td>NE PAS UTILISER CETTE OUVRIÈRE DANS UN ENVIRONNEMENT DANGEREUX. NE PAS UTILISER CETTE OUVRIÈRE DANS UN ENVIRONNEMENT DANGEREUX.</td> </tr> <tr> <td>DO NOT OPERATE THIS TOOL IN A DANGEROUS ENVIRONMENT. AVERTISSEMENT: NE PAS UTILISER CETTE OUVRIÈRE DANS UN ENVIRONNEMENT DANGEREUX.</td> <td>NO OPERAR ESTE EQUIPO EN UN ENTORNO PELIGROSO. AVERTISSEMENT: NO OPERAR ESTE EQUIPO EN UN ENTORNO PELIGROSO.</td> <td>NE PAS UTILISER CETTE OUVRIÈRE DANS UN ENVIRONNEMENT DANGEREUX. NE PAS UTILISER CETTE OUVRIÈRE DANS UN ENVIRONNEMENT DANGEREUX.</td> </tr> </tbody> </table>	A WARNING	A ADVERTENCIA	A AVERTISSEMENT	READ MANUAL. TO REDUCE THE RISK OF ELECTRIC SHOCK, READ AND UNDERSTAND THE OPERATING MANUAL BEFORE USING THIS TOOL. AVERTISSEMENT: LIREZ LE MANUEL D'UTILISATION AVANT D'UTILISER L'APPAREIL.	LEER EL MANUAL. PARA REDUCIR EL RIESGO DE CHOQUE ELÉCTRICO, LEA Y ENTENDEA BIEN EL MANUAL DE INSTRUCCIONES ANTES DE USAR ESTE EQUIPO. AVERTISSEMENT: LIREZ LE MANUEL D'UTILISATION AVANT D'UTILISER L'APPAREIL.	LEER EL MANUAL. PARA REDUCIR EL RIESGO DE CHOQUE ELÉCTRICO, LEA Y ENTENDEA BIEN EL MANUAL DE INSTRUCCIONES ANTES DE USAR ESTE EQUIPO. AVERTISSEMENT: LIREZ LE MANUEL D'UTILISATION AVANT D'UTILISER L'APPAREIL.	WEAR PROTECTIVE GEAR TO PROTECT YOUR EYES AND FACE. AVERTISSEMENT: PORTER UN ÉQUIPEMENT DE PROTECTION PERSONNELLE POUR PROTÉGER VOS YEUX ET VOTRE VISAGE.	USAR PROTECCIÓN PARA LOS OJOS QUE CUMPLA CON EL ESTÁNDAR ANSI Z87.1. AVERTISSEMENT: USAR PROTECCIÓN PARA LOS OJOS QUE CUMPLA CON EL ESTÁNDAR ANSI Z87.1.	PORTER LES LUNETTES DE PROTECTION COMPLÈTES. L'ÉQUIPEMENT DE PROTECTION PERSONNELLE DOIT ÊTRE CONFORME À LA NORME ANSI Z87.1.	DO NOT BREATHE AIR FROM THIS TOOL. AVERTISSEMENT: NE PAS RESPIRER L'AIR DE CETTE OUVRIÈRE.	NO RESPIRE EL AIRE QUE SALE DE LA OUVRIERA. AVERTISSEMENT: NO RESPIRE EL AIRE QUE SALE DE LA OUVRIERA.	BOUSSER RESPIRER NE PAS D'INSPIRER L'AIR QUI SORT DE LA OUVRIÈRE. NE PAS RESPIRER L'AIR QUI SORT DE LA OUVRIÈRE.	DO NOT OPERATE THIS TOOL IN A FLAMMABLE OR EXPLOSIVE ENVIRONMENT. AVERTISSEMENT: NE PAS UTILISER CETTE OUVRIÈRE DANS UN ENVIRONNEMENT INFLAMMABLE OU EXPLOSIF.	NO OPERAR ESTE EQUIPO EN UN ENTORNO INFLAMMABLE O EXPLOSIVO. AVERTISSEMENT: NO OPERAR ESTE EQUIPO EN UN ENTORNO INFLAMMABLE O EXPLOSIVO.	NE PAS UTILISER CETTE OUVRIÈRE DANS UN ENVIRONNEMENT INFLAMMABLE OU EXPLOSIF. NE PAS UTILISER CETTE OUVRIÈRE DANS UN ENVIRONNEMENT INFLAMMABLE OU EXPLOSIF.	DO NOT OPERATE THIS TOOL IN A DANGEROUS ENVIRONMENT. AVERTISSEMENT: NE PAS UTILISER CETTE OUVRIÈRE DANS UN ENVIRONNEMENT DANGEREUX.	NO OPERAR ESTE EQUIPO EN UN ENTORNO PELIGROSO. AVERTISSEMENT: NO OPERAR ESTE EQUIPO EN UN ENTORNO PELIGROSO.	NE PAS UTILISER CETTE OUVRIÈRE DANS UN ENVIRONNEMENT DANGEREUX. NE PAS UTILISER CETTE OUVRIÈRE DANS UN ENVIRONNEMENT DANGEREUX.	DO NOT OPERATE THIS TOOL IN A DANGEROUS ENVIRONMENT. AVERTISSEMENT: NE PAS UTILISER CETTE OUVRIÈRE DANS UN ENVIRONNEMENT DANGEREUX.	NO OPERAR ESTE EQUIPO EN UN ENTORNO PELIGROSO. AVERTISSEMENT: NO OPERAR ESTE EQUIPO EN UN ENTORNO PELIGROSO.	NE PAS UTILISER CETTE OUVRIÈRE DANS UN ENVIRONNEMENT DANGEREUX. NE PAS UTILISER CETTE OUVRIÈRE DANS UN ENVIRONNEMENT DANGEREUX.	DO NOT OPERATE THIS TOOL IN A DANGEROUS ENVIRONMENT. AVERTISSEMENT: NE PAS UTILISER CETTE OUVRIÈRE DANS UN ENVIRONNEMENT DANGEREUX.	NO OPERAR ESTE EQUIPO EN UN ENTORNO PELIGROSO. AVERTISSEMENT: NO OPERAR ESTE EQUIPO EN UN ENTORNO PELIGROSO.	NE PAS UTILISER CETTE OUVRIÈRE DANS UN ENVIRONNEMENT DANGEREUX. NE PAS UTILISER CETTE OUVRIÈRE DANS UN ENVIRONNEMENT DANGEREUX.																								
A WARNING	A ADVERTENCIA	A AVERTISSEMENT																																															
READ MANUAL. TO REDUCE THE RISK OF ELECTRIC SHOCK, READ AND UNDERSTAND THE OPERATING MANUAL BEFORE USING THIS TOOL. AVERTISSEMENT: LIREZ LE MANUEL D'UTILISATION AVANT D'UTILISER L'APPAREIL.	LEER EL MANUAL. PARA REDUCIR EL RIESGO DE CHOQUE ELÉCTRICO, LEA Y ENTENDEA BIEN EL MANUAL DE INSTRUCCIONES ANTES DE USAR ESTE EQUIPO. AVERTISSEMENT: LIREZ LE MANUEL D'UTILISATION AVANT D'UTILISER L'APPAREIL.	LEER EL MANUAL. PARA REDUCIR EL RIESGO DE CHOQUE ELÉCTRICO, LEA Y ENTENDEA BIEN EL MANUAL DE INSTRUCCIONES ANTES DE USAR ESTE EQUIPO. AVERTISSEMENT: LIREZ LE MANUEL D'UTILISATION AVANT D'UTILISER L'APPAREIL.																																															
WEAR PROTECTIVE GEAR TO PROTECT YOUR EYES AND FACE. AVERTISSEMENT: PORTER UN ÉQUIPEMENT DE PROTECTION PERSONNELLE POUR PROTÉGER VOS YEUX ET VOTRE VISAGE.	USAR PROTECCIÓN PARA LOS OJOS QUE CUMPLA CON EL ESTÁNDAR ANSI Z87.1. AVERTISSEMENT: USAR PROTECCIÓN PARA LOS OJOS QUE CUMPLA CON EL ESTÁNDAR ANSI Z87.1.	PORTER LES LUNETTES DE PROTECTION COMPLÈTES. L'ÉQUIPEMENT DE PROTECTION PERSONNELLE DOIT ÊTRE CONFORME À LA NORME ANSI Z87.1.																																															
DO NOT BREATHE AIR FROM THIS TOOL. AVERTISSEMENT: NE PAS RESPIRER L'AIR DE CETTE OUVRIÈRE.	NO RESPIRE EL AIRE QUE SALE DE LA OUVRIERA. AVERTISSEMENT: NO RESPIRE EL AIRE QUE SALE DE LA OUVRIERA.	BOUSSER RESPIRER NE PAS D'INSPIRER L'AIR QUI SORT DE LA OUVRIÈRE. NE PAS RESPIRER L'AIR QUI SORT DE LA OUVRIÈRE.																																															
DO NOT OPERATE THIS TOOL IN A FLAMMABLE OR EXPLOSIVE ENVIRONMENT. AVERTISSEMENT: NE PAS UTILISER CETTE OUVRIÈRE DANS UN ENVIRONNEMENT INFLAMMABLE OU EXPLOSIF.	NO OPERAR ESTE EQUIPO EN UN ENTORNO INFLAMMABLE O EXPLOSIVO. AVERTISSEMENT: NO OPERAR ESTE EQUIPO EN UN ENTORNO INFLAMMABLE O EXPLOSIVO.	NE PAS UTILISER CETTE OUVRIÈRE DANS UN ENVIRONNEMENT INFLAMMABLE OU EXPLOSIF. NE PAS UTILISER CETTE OUVRIÈRE DANS UN ENVIRONNEMENT INFLAMMABLE OU EXPLOSIF.																																															
DO NOT OPERATE THIS TOOL IN A DANGEROUS ENVIRONMENT. AVERTISSEMENT: NE PAS UTILISER CETTE OUVRIÈRE DANS UN ENVIRONNEMENT DANGEREUX.	NO OPERAR ESTE EQUIPO EN UN ENTORNO PELIGROSO. AVERTISSEMENT: NO OPERAR ESTE EQUIPO EN UN ENTORNO PELIGROSO.	NE PAS UTILISER CETTE OUVRIÈRE DANS UN ENVIRONNEMENT DANGEREUX. NE PAS UTILISER CETTE OUVRIÈRE DANS UN ENVIRONNEMENT DANGEREUX.																																															
DO NOT OPERATE THIS TOOL IN A DANGEROUS ENVIRONMENT. AVERTISSEMENT: NE PAS UTILISER CETTE OUVRIÈRE DANS UN ENVIRONNEMENT DANGEREUX.	NO OPERAR ESTE EQUIPO EN UN ENTORNO PELIGROSO. AVERTISSEMENT: NO OPERAR ESTE EQUIPO EN UN ENTORNO PELIGROSO.	NE PAS UTILISER CETTE OUVRIÈRE DANS UN ENVIRONNEMENT DANGEREUX. NE PAS UTILISER CETTE OUVRIÈRE DANS UN ENVIRONNEMENT DANGEREUX.																																															
DO NOT OPERATE THIS TOOL IN A DANGEROUS ENVIRONMENT. AVERTISSEMENT: NE PAS UTILISER CETTE OUVRIÈRE DANS UN ENVIRONNEMENT DANGEREUX.	NO OPERAR ESTE EQUIPO EN UN ENTORNO PELIGROSO. AVERTISSEMENT: NO OPERAR ESTE EQUIPO EN UN ENTORNO PELIGROSO.	NE PAS UTILISER CETTE OUVRIÈRE DANS UN ENVIRONNEMENT DANGEREUX. NE PAS UTILISER CETTE OUVRIÈRE DANS UN ENVIRONNEMENT DANGEREUX.																																															
I	<table border="1"> <tr> <td colspan="2">2HP Oil-Free Air Compressor</td> <td colspan="2">Conforms to UL 1450</td> <td rowspan="2">  </td> </tr> <tr> <td colspan="2">Compresseur d'air sans huile 2HP</td> <td colspan="2">Conforme aux normes UL 1450</td> </tr> <tr> <td colspan="2">MODEL MODÈLE</td> <td colspan="2">S/No.</td> <td rowspan="2"> Certified to CAN/CSA Std. CSA C22.2 NO. 68-18 </td> </tr> <tr> <td colspan="2">IWC28S</td> <td colspan="2">000000000</td> </tr> <tr> <td>Voltage</td> <td>AMP</td> <td>Hz</td> <td>Phase</td> <td>Tank / Gal U.S.</td> <td>Reservoir / Gal U.S.</td> </tr> <tr> <td>120</td> <td>15</td> <td>60</td> <td>1</td> <td>8.0</td> <td>8.0</td> </tr> <tr> <td>Working Pressure</td> <td colspan="4">Max Unit W.P./Factory Setting</td> <td>Pression de travail max / Réglage d'usine</td> </tr> <tr> <td>Pressure de travail</td> <td colspan="4">125 PSI / 95 - 125 PSI</td> <td></td> </tr> <tr> <td colspan="6">Manufactured for / Fabriqué pour: ANEST Iwata-Medea, Inc. MADE IN MEXICO FABRIQUE AU MEXIQUE</td> </tr> </table>	2HP Oil-Free Air Compressor		Conforms to UL 1450			Compresseur d'air sans huile 2HP		Conforme aux normes UL 1450		MODEL MODÈLE		S/No.		Certified to CAN/CSA Std. CSA C22.2 NO. 68-18	IWC28S		000000000		Voltage	AMP	Hz	Phase	Tank / Gal U.S.	Reservoir / Gal U.S.	120	15	60	1	8.0	8.0	Working Pressure	Max Unit W.P./Factory Setting				Pression de travail max / Réglage d'usine	Pressure de travail	125 PSI / 95 - 125 PSI					Manufactured for / Fabriqué pour: ANEST Iwata-Medea, Inc. MADE IN MEXICO FABRIQUE AU MEXIQUE					
2HP Oil-Free Air Compressor		Conforms to UL 1450																																															
Compresseur d'air sans huile 2HP		Conforme aux normes UL 1450																																															
MODEL MODÈLE		S/No.		Certified to CAN/CSA Std. CSA C22.2 NO. 68-18																																													
IWC28S		000000000																																															
Voltage	AMP	Hz	Phase	Tank / Gal U.S.	Reservoir / Gal U.S.																																												
120	15	60	1	8.0	8.0																																												
Working Pressure	Max Unit W.P./Factory Setting				Pression de travail max / Réglage d'usine																																												
Pressure de travail	125 PSI / 95 - 125 PSI																																																
Manufactured for / Fabriqué pour: ANEST Iwata-Medea, Inc. MADE IN MEXICO FABRIQUE AU MEXIQUE																																																	



NO.	PART
1	Head Screw
2	Air Filter
3	Cylinder Head
4	Head Gasket
5	Valve Plate
6	Cylinder Gasket
7	Cylinder
8	Housing
9	Bearing
10	Screw
11	Crank
12	Fan
13	Fan Cover

NO.	PART
14	Piston
15	Piston Seal
16	Retainer
17	Retainer Screw
18	Motor Mount
19	Bearing
20	Stator
21	Rotor
22	Housing Screw
23	Housing
24	Fan
25	Capacitor
26	Capacitor Cover

NO.	PART
27	Connecting Rod
28	Elbow
29	Adjustment Stent
30	Pressure Switch
31	Safety Valve
32	Connector
33	Gauge
34	Regulator
35	Quick Connector
36	Gauge
37	Power Cord
38	Exhaust Hose
39	Check Valve

NO.	PART
40	Handle
41	Hose
42	8 Gallon Tank
43	Motor Mount Washer
44	Nut
45	Washer
46	Wheel
47	Bolt
48	Drain Valve
49	Nut
50	Cushion Foot
51	Bolt

Quiet Oil-Free Air Compressor

PRE-OPERATION CHECKLIST

Package Contents & Assembly

Model: IWC28S

Package Contents:

Air Compressor

25 ft Air Hose

1/4" BSPP to Male QD Fitting

Owner's Manual

Air Filter

Wheel & Foot Assembly Kit:

2 - #44 Nut - 17mm (11/16")

2 - #45 Washers

2 - #46 Wheel

2 - #47 Wheel bolts (Phillips head)

1 - #49 Nut - 13mm (1/2")

1 - #50 Cushion Foot

1 - #51 bolt - 13mm (1/2")

Assembly:

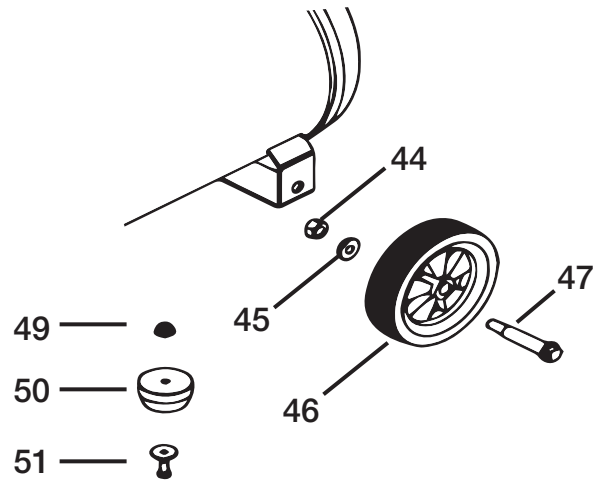
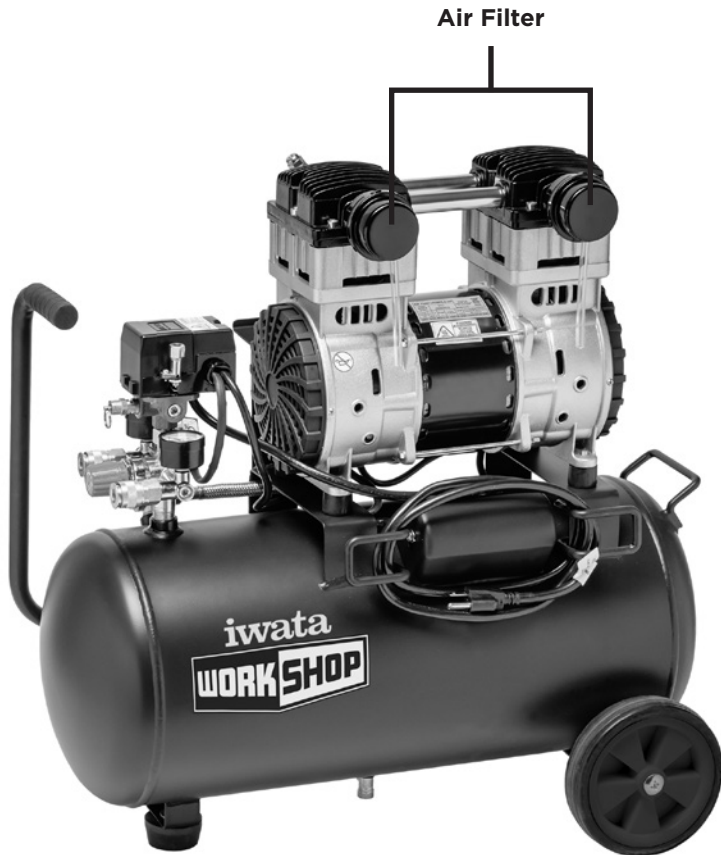
Install The Air Filter

1. Attach the air filter to the top rear of motor head. (Looking from the front to the back of the air compressor.)

Screw the air filter into the motor head port that is located under the plastic head cover.

Install The Wheel Kit

1. Slide bolt #47 through Wheel #46 .
2. Slide the bolt #47 through wheel support hole located on the back bottom of the air compressor tank.
3. Attached the Washer #45 and Nut #44 to the bolt #47 and tighten firmly.
4. Repeat steps 1-3 to assemble the other wheel.
5. Slide bolt #51 through the Cushion Foot #50
6. Slide bolt #51 through cushion foot support hole located on the front bottom of the air compressor..
7. Attach Nut #49 to bolt #51 firmly.



Inspect For Damage

Before using the air compressor, make sure the air tank is not damaged, inspect all parts for damage, and check that all pipes are firmly connected.

Do not use the air compressor if any damage is found. If damaged, have an authorized service center inspect and test the air compressor to ensure that it is working properly.

Save Packaging

IMPORTANT: Save all outside packaging in case you ever need to return the product for service or repair.

Compressor Location


Use On Flat Surface

For proper operation, the air compressor must be placed on a flat surface with an incline no greater than 15 degrees.


Maintain A Clear Area

It is very important that the air compressor is positioned so that there is adequate airflow around the machine. There must be at least 2 feet of obstacle-free space surrounding and above the air compressor.

!WARNING



EXPLOSION



FIRE

Use caution to minimize risk of fire or explosion.


It is normal for the air compressor motor and pressure switch to produce sparks while operating. If sparks come in contact with vapors from gasoline or solvents, they may ignite and cause a fire or explosion.

Abrasive tools such as grinders, drills and other tools are capable of making sparks that can ignite flammable materials.

Always operate the air compressor a safe distance away from flammable items. Use in well-ventilated areas.

Never exceed the maximum rated pressure.

!WARNING



RISK TO BREATHING

Dust or dust-like particulates caused by power-sanding, sawing, grinding, drilling or any other construction-like activities can contain contaminants that are harmful to breathe.

Always use your air compressor in a well-ventilated and clean area.

Never breathe the air that comes directly out of the air compressor or air hose. This air is not suitable for breathing.

Always wear approved safety equipment. When performing dust-creating activities, securely wear properly-fit face masks or respirators.

If you feel ill from breathing while operating your air compressor, stop and seek medical attention immediately.

Use In Areas With Clean Air

For proper operation and to maximize the longevity of the air compressor, it is very important that the air drawn into the air compressor is clean. The air compressor should not be used in areas where dust or particulates are in the air. This will damage the motor and impair proper operation.

Important: Always use the air filter, properly installed.

ELECTRICAL POWER

Electrical Power Requirements

⚠ DANGER



SHOCK

There is a danger of electric shock.

Use only undamaged electrical cords.

DO NOT touch bare wires or receptacles.

DO NOT operate air compressor in wet weather or in wet conditions.

DO NOT touch air compressor or cords if hands or feet are wet.

Ensure that all cords are free of damage before connecting to the power supply.

Ensure that you have a sufficient electrical supply for supporting the requirements of the motor.

Improper installation of the grounding plug is able to result in a risk of electrical shock. When repair or replacement of the cord or plug is required, do not connect the grounding wires to either flat terminal. The wire with insulation having an outer surface that is green with or without yellow stripes is the grounding wire.

This product must be grounded. In the event of an electrical short circuit, grounding reduces the risk of electrical shock by providing an escape wire for the electrical current.

This product is equipped with a cord having a grounding wire with an appropriate grounding plug. The plug must be plugged into an outlet that is properly installed and grounded in accordance with local codes and ordinances.

This product is for use on a nominal 120-V circuit and has a grounding plug similar to the plug illustrated in sketch A. Only connect the product to an outlet having the same configuration as the plug.

Do not use an adapter with this product.

Before using the air compressor, refer to the Compressor Rating Label for voltage and amperage requirements. Make sure you have a sufficient electrical supply for supporting the motor's requirements.

Use a dedicated 15 amp circuit for best results. Low voltage and/or an overloaded circuit can cause the motor's overload protection to trip.

Electrical Extension Cords

⚠ CAUTION

Use caution when using extension cords.

Use an extension cord which is no more than 27' (7.6 m) long and at least 14 gauge.

Using an excessively long or thin-wired extension cord will cause severe damage to the motor.

Use only a 3-wire extension cord that has a 3-blade grounding plug.

As undersized cord results in a drop in the line voltage and loss of power and overheating.

When in doubt, use a heavier gauge. The smaller the gauge the more current the cord can carry.

Inspect all electrical extension cords to ensure that they are free of damage.

When using an extension cord, use a heavy-duty cord that is no more than 25 feet long and at least 14 gauge. Use only a 3-wire extension cord that has a 3-blade grounding plug.

OPERATING THE AIR COMPRESSOR

⚠ WARNING

This manual contains important instructions for operating this product. For your safety, and the safety of others, be sure to read this manual thoroughly before operating the product.

Failure to properly follow all the instructions and precautions can cause you and others to be seriously hurt or killed.

Save this manual for future reference.

Introduction

This air compressor features a compact structure, stable performance, a high airflow rate, easy operation and maintenance. Because the air compressor produces no oil in the airflow, it can be used as an independent air supply machine for situations in which oil in the airflow is an issue. The motor directly drives the pistons and is able to function without lubrication for a long period of time.

Assembly

1. Connect your air supply hose to a 1/4" male universal or industrial quick connect coupler. Connect the male quick connect coupler to the female quick connect coupler located on the air compressor.
2. Make sure the drainage valve is off and that the pressure switch is in the OFF position.
3. Ensure that the power supply you are going to use is operating normally.
4. Insert the power supply cord into the power supply socket.

TEST RUN

Before using the air compressor for the first time, complete a test run as follows:

1. Turn the power switch to the OFF position. Plug the power supply cord into a power supply socket. Start the air compressor by turning the power switch to the ON position. The pressure gauge reading will slowly rise as pressure increases inside the air tank. When the gauge reading reaches 125 PSI, the pressure switch will automatically turn the power off. This indicates the compressor is working normally.
2. Turn the power switch to the Off position, unplug the power supply cord and release the air in the tank by pulling on the safety valve. At this point proceed to the next step (daily operations).

Note: If the Air Compressor is not working properly, the pressure gauge will indicate that there is a decrease in pressure in the air tank. If there is an air leak from the compressor the pressure in the air tank decreases, the pressure switch resets and the motor automatically turns back on.

If you detect an air leakage, turn the power switch to the Off position, release the air from the tank by pulling on the safety valve. unplug the power supply cord and contact Customer Support for Assistance.

!WARNING



HOT SURFACE



FIRE

Air compressor surfaces become hot during operation.

DO NOT touch hot surfaces, because they can cause severe burns.

Do not touch the air compressor's cylinder head. During operation, the cooling fins of the cylinder head and delivery pipe become hot.

Allow the air compressor to cool before touching it.

DO NOT place a storage cover on the unit during operation. Only place a cover on the air compressor after it has thoroughly cooled down.

!WARNING



FLYING OBJECTS

Flying objects can cause injury to the eyes, head and other parts of the body.

Air-powered equipment and power tools are capable of propelling items (metal chips, fasteners and particulates) at high speed into the air and could result in injury.

Always wear approved head and eye protection.

Never point the air stream at any part of your body, or at another person or animal.

When operating the air compressor, make sure all other people and animals maintain a safe distance.

Do not move the air compressor when the air tank is under pressure.

Never use the air hoses to pull or move the air compressor.

Keep the air compressor on a flat surface.

DAILY OPERATION

Starting The Compressor:

1. Turn the power switch to the OFF position.
2. Attach an air hose to a 1/4" Industrial Male Quick Connector. Attach the air hose to the air compressor female connector
3. Close the drain valve.
4. Have air filter attached
5. Plug the power supply cord into a power supply socket.
6. Turn the power switch to the ON position.
7. Let the motor run and tank fill until motor turns off.
8. To regulate the air flow:
While the air compressor is running, turn "On" your tool and turn the regulator knob to the right increasing the pressure. Turn the pressure up until the desired pressure is reached.
9. Operate air tool normally.
Do not exceed (1) hour of (non-stop) continuous running.

Shutting Down The Compressor:

1. Turn the power switch to the OFF position.
2. unplug the power supply cord.
3. Reduce the pressure in the air tank through the air supply hose. drain the remaining air and water from the drain valve.

MAINTENANCE

Draining The Air Tank

The frequency at which you should drain the air tank depends on the environmental conditions and the amount of operating time logged. The average draining frequency is every 1 to 2 days.

1. Place the air compressor above a container capable of holding water.
2. With compressed air in the air tank, slowly turn the drain valve knob to the forward (open) or straight position. The water in the air tank will drain out.
3. After all of the accumulated water has drained out, turn the drain valve knob to the closed or left position in order to avoid leakage.
4. draining the air tank protects parts from rust and corrosion.

Cleaning Or Changing The Air Filter

The air filter is designed to reduce noise and help prevent particulates in the air from entering and damaging the air compressor.

After being used for a period of time, the air filter will become clogged. This will reduce the air intake capabilities of the air compressor, reducing performance. Therefore, the air filter must be cleaned or replaced regularly.

1. Open the lid on the air filter, then remove the air filter element.
2. To clean the element blow off or brush off the dirt and dust.
3. If clogged, replace with a new air filter.

Testing For Leaks

Make sure all connections are tight. do not overtighten.

A small leak in any hose or pipe connection will reduce the air compressor's performance.

To test for small leaks, spray a small amount of soapy water on the area suspected of leaking. If the soap bubbles, replace the broken part.

Cleaning

Clean items with a soft brush, or wipe with a moistened cloth using a biodegradable solvent.

Do not use flammable liquids such as gasoline or alcohol.

Always keep parts clean from dirt and dust for better performance.

Pressure Switch

The pressure switch is factory pre-set to shut off at ~125 PSI and to re-start at between ~95 PSI.

STORAGE

Before storing for a prolonged period of time:

1. Turn off the power supply.
2. disconnect the power cord from the power supply and wrap the power cord around the air compressor handle to reduce the risk of damage.
3. Pull the relief valve and release all the pressure from the air tank. drain the water from the tank through the drain valve.
4. Clean the air compressor to remove all dirt and dust.
5. Cover the air compressor with a cover to protect the unit from dust and moisture.
6. do not stack or store any items on top of or around the air compressor. damage could occur.

⚠ CAUTION

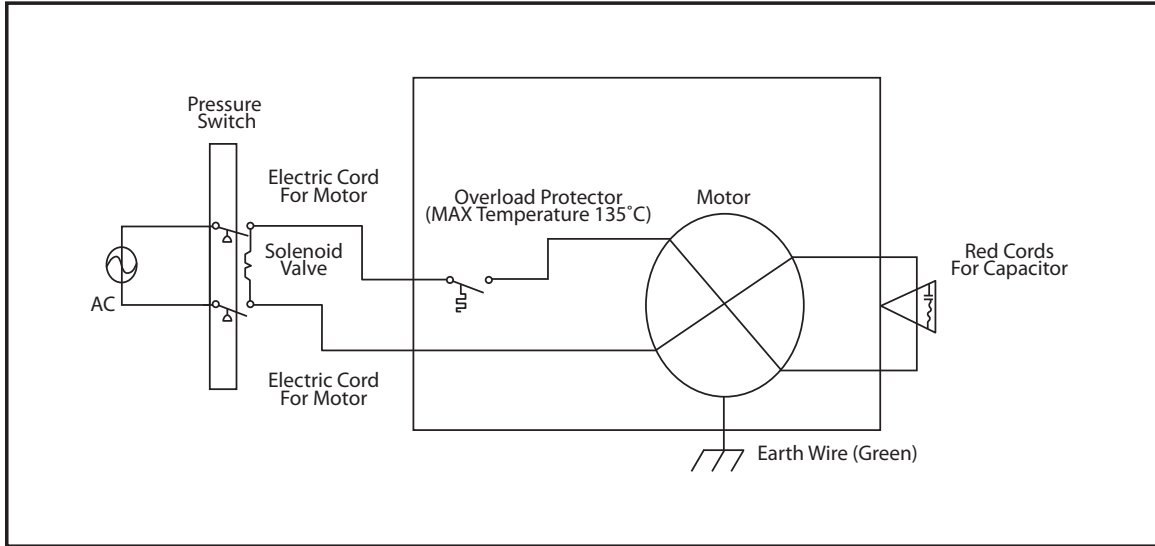
**TO REDUCE THE RISK OF ELECTRIC SHOCK, DO NOT EXPOSE TO RAIN.
STORE INDOORS.**

TROUBLESHOOTING

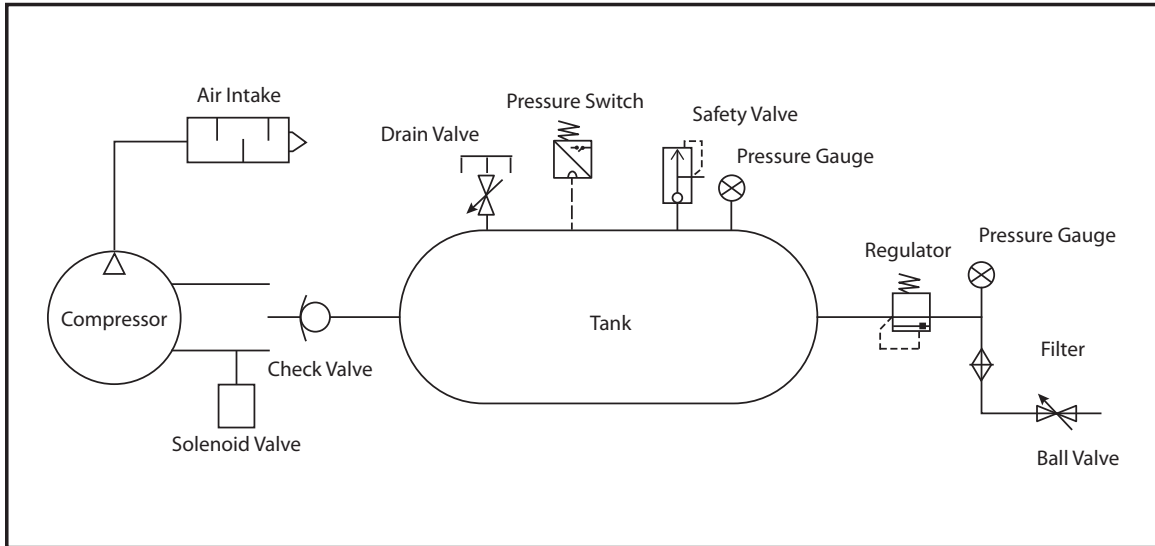
PROBLEM	POSSIBLE CAUSE	POSSIBLE SOLUTIONS
Pressure drop in the tank.	Air leaks at connections.	Let the compressor build pressure in the tank, to the maximum pressure if possible. brush soapy water on air connections and look carefully for air bubbles. Tighten leaky connections. If the problem persists, contact the seller for further advice.
The unloader valve leaks when the compressor is idle.	unloader valve seal is defective.	Let the air in the air tank flow out until all the pressure is released. Then remove the unloader valve plug and clean the valve seal. If necessary, replace the seal and then reinstall all components.
The compressor stopped and does not start.	The thermal protector turned on because the motor is overheating.	Check that the main voltage corresponds to the air compressor specifications. An extension cord that is too thin or too long can cause a voltage drop and cause the motor to overheat. Excessive use (over 1 hour continuous use) can cause the motor to overheat Allow the motor to cool down.
	Motor windings are burned out.	Contact Customer Support.
The motor does not start and makes a humming noise.	Capacitor is burned out.	Contact Customer Support.
The motor does not start or starts slowly.	Low voltage supply to the motor.	Check that the main voltage corresponds to the air compressor specifications. An extension cord that is too thin or too long can cause a voltage drop. Use heavy duty extension cords. Ensure that the air compressor is plugged into a fully functional power outlet.
The compressor is noisy with metallic clangs.	Compressor head gasket or reed valve is damaged.	Stop the compressor and contact the dealer.
The compressor does not reach the maximum pressure.	Compressor head gasket or reed valve is faulty.	Stop the compressor and contact the dealer.
The compressor doesn't seem to provide as much air as it did when new and/or the compressor cuts off within a much shorter time period.	The pressure switch needs adjusting.	Stop the compressor and contact the dealer.
	The tank is full of water due to condensation.	Open the drain valve and release the water from the tank.
The motor pump unit does not stop when the tank pressure reaches its maximum working pressure (125 PSI).	Pressure switch defective or needs adjusting.	Stop the compressor immediately and contact Customer Support.

SPECIFICATIONS

Electrical Circuit



Air Passage Drawing



IWATA AIRBRUSH COMPRESSOR LIMITED WARRANTY:

This limited warranty is extended to the original purchaser of this Airbrush Compressor an Authorized Iwata Seller and warrants against any defect in materials and/or workmanship for a period of ONE (1) year from the date of purchase. Anest Iwata-Medea, Inc., at its option, will either provide replacement parts, repair or replace the unit, when a valid claim is filed. A valid claim includes a proof of purchase from an Authorized Iwata Seller.

DUTIES OF THE OWNER:

This Airbrush Compressor must be operated in accordance with the written instructions furnished with this Airbrush Compressor. This warranty shall not excuse the owner from properly maintaining this Airbrush Compressor in accordance with the written instructions furnished with this Airbrush. A bill of sale, canceled check or payment record must be kept, to establish purchase date and warranty period. The original carton should be kept in case of warranty return of unit.

WHAT IS NOT COVERED UNDER THIS WARRANTY:

1. Damage caused by misuse or use contrary to the owner's manual and safety guidelines.
2. Damage caused by an external power source, power converter and/or power generator.
3. Intake Filters
4. Use of non-standard Iwata replacement Airbrush Compressor components.

Freight charges on warranty parts or Airbrush Compressors to and from the factory shall be the responsibility of the owner. This warranty does not imply or assume any responsibility for consequential damages that may result from the use, misuse, or the lack of routine maintenance of this Airbrush Compressor. A cleaning fee and the cost of parts may be charged for Airbrush Compressor failures resulting from lack of maintenance.

This warranty does not cover claims which do not involve defective workmanship or materials. **FAILURE TO PERFORM GENERAL MAINTENANCE (INCLUDING CLEANING OF INTAKE FILTERS) WILL VOID THIS WARRANTY.**

THIS LIMITED WARRANTY IS GIVEN TO THE PURCHASER IN LIEU OF ALL OTHER WARRANTIES, EXPRESSED OR IMPLIED, INCLUDING BUT NOT LIMITED TO THE WARRANTIES OF MERCHANTABILITY OR FITNESS ARE LIMITED TO THE DURATION OF THIS WRITTEN WARRANTY. THE REMEDY PROVIDED IN THIS WARRANTY IS EXCLUSIVE AND IS GRANTED IN LIEU OF ALL OTHER REMEDIES. IN NO EVENT WILL ANEST IWATA-MEDEA, INC., BE LIABLE FOR INCIDENTAL OR CONSEQUENTIAL DAMAGES.

Some states do not allow limitations on how long an implied warranty lasts, so the above limitation may not apply to you. Some states do not allow the exclusion or limitation of incidental or consequential damages, so the above limitation or exclusion may not apply to you.

iwata

by ANEST IWATA

www.iwata-airbrush.com

iwata



110-120v Compresseur d'air sans huile silencieux

Mode d'emploi et manuel des pièces

MODÈLE	MOTEUR (HP)	CFM @ 40PSI	CFM @ 90PSI	Capacité du réservoir (gal)
IWC28S	2	6.4	5.3	8



Conforme aux normes UL 1450
Certifié CAN/CSA Std.
CSA C22.2 NO. 68-18

Fabriqué pour
ANEST IWATA-MEDEA, Inc.
Portland, OR 97217



AVERTISSEMENT DE DANGER GÉNÉRAL

Ce manuel contient des instructions importantes concernant le fonctionnement du produit. Pour votre sécurité, et la sécurité des autres, assurez-vous de lire ce manuel attentivement et en entier avant de faire fonctionner le produit.

Le non-respect de toutes les instructions et précautions entraîne un risque de blessures graves ou même de mort qui peut survenir pour vous et toute autre personne.

TABLE DES MATIÈRES

Introduction	18
Consignes De Sécurité Importantes	19
Emplacements Des Étiquettes	
Importantes	22
Composants Du Compresseur D'air	23
Liste De Vérification Préopérationnelle	24
Contenu De L'emballage Et Montage	24
Inspecter Pour Voir S'il Y A	
Des Dommages	25
Conserver L'emballage	25
Emplacement Du Compresseur	25
Alimentation Électrique	26
Utilisation Du Compresseur D'air	26
Introduction	26
Montage	26
Essai	27
Utilisation Quotidienne	27
Maintenance	28
Purge Du Réservoir D'air	28
Remplacement Du Filtre À Air	28
Test D'étanchéité	28
Manocontacteur	28
Nettoyage	28
Entreposage	28
Diagnostic De Panne	29
Spécifications	30
Circuit Électrique	30
Dessin De Passage D'air	30
Garantie	31

ARRÊT! Ne retournez pas votre compresseur d'air au magasin ou au revendeur chez qui vous l'avez acheté avant d'avoir communiqué avec le fabricant mentionné ci-dessous.

INTRODUCTION

Comment trouver un centre de services près de chez vous : Même un équipement de qualité peut nécessiter un entretien ou une réparation de certaines de ses pièces. Communiquer avec le soutien à la clientèle d'Anest Iwata-Medea :
Téléphone : 503-253-7308 de lundi à vendredi,
8 h - 16 h 30 HNP
Internet : www.iwata-airbrush.com

Veillez indiquer les renseignements suivants :

- Numéro de modèle et numéro de série et spécifications indiquées sur la plaque comportant le numéro de série ou le numéro de série.
- Numéro de pièce ou numéros inscrits dans la section des listes de pièces du manuel d'utilisation pour votre modèle de compresseur d'air.
- Brève description du problème rencontré avec le compresseur d'air.

CONSIGNES DE SÉCURITÉ IMPORTANTES

Messages de sécurité et mentions d'avertissement :

⚠ DANGER

Indique une situation dangereuse immédiate qui, si elle n'est pas évitée, entraînera la mort ou des blessures graves pour l'opérateur ou pour les passants.

⚠ AVERTISSEMENT

Indique une situation potentiellement dangereuse qui, si elle n'est pas évitée, pourrait entraîner la mort ou des blessures graves pour l'opérateur ou pour les passants.

⚠ ATTENTION

Indique une situation potentiellement dangereuse qui, si elle n'est pas évitée, peut entraîner des blessures modérées ou mineures pour l'opérateur ou pour les passants.

AVIS

Indique une situation qui, si elle n'est pas évitée, pourrait entraîner des dommages pour les composants du produit ou les autres biens.

⚠ DANGER



RISQUE DE COUPURE

Les pièces mobiles peuvent causer un traumatisme grave.
Garder les mains et les pieds à l'écart des pièces rotatives, attacher vos cheveux si vous avez les cheveux longs, et NE PAS porter de vêtements amples.

⚠ DANGER



CHOC

Un risque de choc électrique existe.
Utiliser seulement des cordons électriques non endommagés.
NE PAS toucher les fils dénudés ou les prises.
NE PAS faire fonctionner le compresseur d'air par temps humide ou conditions humides.
NE PAS toucher le compresseur d'air ou les cordons si vos mains ou vos pieds sont mouillés.
S'assurer qu'aucun cordon ne présente de dommage avant son raccordement à l'alimentation électrique.
S'assurer d'avoir une alimentation en électricité suffisante pour répondre aux besoins du moteur.
Toute installation inadéquate de la fiche de terre peut entraîner un risque de choc électrique. Si le cordon ou la fiche doivent être réparés ou remplacés, ne pas brancher les fils de terre à l'une ou l'autre des bornes plates. Le fil ayant une isolation dont la surface extérieure est verte avec ou sans rayures jaunes est le fil de terre.
Ce produit doit être relié à la terre. En cas de court-circuit électrique, la terre réduit le risque de choc électrique en permettant au courant électrique de s'échapper par le fil de terre.
Ce produit est équipé d'un cordon doté d'un fil de terre ainsi que d'une fiche de terre appropriée. La fiche doit être branchée à une prise murale ayant été installée et mise à la terre correctement, conformément aux codes et règlements locaux.
Ce produit doit être utilisé sur un circuit nominal de 120 V et possède une fiche de terre qui est similaire à la fiche illustrée dans le dessin A. Ne connecter le produit qu'à une prise murale ayant la même configuration que la fiche.
Ne pas utiliser d'adaptateur avec ce produit.

⚠️ AVERTISSEMENT



RISQUE POUR LES VOIES RESPIRATOIRES

La poussière ou les particules semblables à la poussière créées par les travaux de sablage, sciage, meulage ou perçage ou par toute autre activité assimilée à la construction peuvent contenir des contaminants qui sont nocifs si vous les respirez.

Toujours utiliser votre compresseur d'air dans un endroit propre et bien ventilé.

Ne jamais respirer l'air qui sort directement du compresseur d'air ou du flexible d'air. Cet air n'est pas respirable.

Toujours porter l'équipement de sécurité approuvé. Quand vous effectuez des activités générant de la poussière, portez des masques et respirateurs bien ajustés sur le visage.

Si vous vous sentez malade après avoir respiré l'air pendant le fonctionnement de votre compresseur d'air, arrêtez-vous et obtenez des soins médicaux immédiatement.

⚠️ AVERTISSEMENT



OBJETS VOLANTS

Les objets volants peuvent causer des blessures aux yeux, à la tête et aux autres parties du corps.

Les équipements pneumatiques et les outils électriques sont capables de projeter des objets (copeaux de bois, fixations et particules) à haute vitesse dans l'air et peuvent entraîner des blessures.

Toujours porter une protection pour tête et pour yeux approuvée.

Ne jamais orienter le jet d'air vers quelque partie du corps que ce soit, ou vers une autre personne ou vers un animal.

Lors du fonctionnement du compresseur d'air, s'assurer que toutes les autres personnes et que tous animaux soient tenus à une distance sécuritaire.

Ne pas déplacer le compresseur d'air lorsque le réservoir d'air est sous pression.

Ne jamais utiliser les flexibles d'air pour tirer ou déplacer le compresseur d'air.

Garder le compresseur d'air sur une surface horizontale.

⚠️ AVERTISSEMENT



SURFACE CHAUDE



INCENDIE

Les surfaces du compresseur d'air deviennent chaudes lors de son fonctionnement.

NE PAS toucher les surfaces chaudes, parce qu'elles peuvent causer des brûlures graves.

Ne pas toucher la culasse de cylindre du compresseur d'air. Pendant le fonctionnement, les ailettes de refroidissement de la culasse de cylindre et du tube de refoulement deviennent chaudes.

Laisser le compresseur d'air refroidir avant de le toucher.

NE PAS placer de capot de stockage sur l'appareil pendant son fonctionnement. Placer un capot sur le compresseur d'air uniquement après qu'il ait complètement refroidi.

⚠️ AVERTISSEMENT



EXPLOSION

Faire preuve de prudence lors de toute utilisation de l'air sous pression.

Pour éviter les blessures et pour votre sécurité générale, utiliser uniquement des flexibles, raccords et accouplements haute pression qui sont conçus pour être utilisés avec les compresseurs d'air.

Inspecter tous les flexibles, raccords et accouplements pour voir s'ils fuient ou s'ils sont usés. Si vous détectez une fuite ou de l'usure, arrêtez d'utiliser ces éléments, et remplacez-les immédiatement. Ne pas réparer.

Ne jamais laisser aucun air sous pression dans le réservoir d'air lorsque vous effectuez sa maintenance.

Ne jamais laisser le compresseur d'air sans surveillance avec l'alimentation allumée et le flexible d'air connecté.

⚠️ AVERTISSEMENT



EXPLOSION

Un entretien inadéquat pourrait entraîner un éclatement ou une explosion du réservoir d'air comprimé.

Purger le réservoir d'air tous les jours ou après chaque utilisation pour éviter que l'humidité s'accumule dans le réservoir d'air.

La rouille peut affaiblir le réservoir d'air et entraîner des fuites ou un éclatement. Si vous détectez de la rouille, remplacer immédiatement le réservoir. Ne pas essayer de réparer le réservoir d'air en le soudant, en le perçant ou en le modifiant de quelque autre manière. Ces modifications peuvent affaiblir le réservoir d'air, et créer une condition dangereuse.

Si une fuite apparaît sur le réservoir d'air, remplacer immédiatement le réservoir d'air. Ne jamais réparer, souder ou apporter des modifications au réservoir d'air ou à ses accessoires.

Ne jamais ajuster les pressions réglées en usine.

Ne jamais dépasser les pressions nominales maximales admissibles définies par le fabricant des équipements.

En raison de la chaleur extrême du système, ne pas utiliser de tuyau en plastique comme conduite de refoulement ou de joints soudés à l'étain-plomb sur celle-ci.

⚠️ AVERTISSEMENT



EXPLOSION



INCENDIE

Faire preuve de prudence pour minimiser le risque d'incendie ou d'explosion.

Il est normal que le moteur du compresseur d'air et que le commutateur de pression produisent des étincelles lors du fonctionnement de la machine. Si les étincelles entrent en contact avec les vapeurs d'essence ou des solvants, il se peut qu'elles s'enflamment et entraînent un incendie ou une explosion.

Les outils abrasifs tels que les meules, les perceuses et autres outils similaires sont capables de générer des étincelles qui peuvent enflammer les matériaux inflammables.

Toujours faire fonctionner le compresseur d'air à une distance sécuritaire des objets inflammables. Utiliser dans des endroits bien ventilés.

Ne jamais dépasser la pression nominale maximale.

⚠️ ATTENTION

Faire preuve de prudence lorsque vous utilisez des rallonges électriques.

Utiliser une rallonge électrique ne mesurant pas plus de 7,6 m (25') et de calibre 14 au minimum.

L'utilisation d'une rallonge électrique plus longue ou à fils fins peut endommager gravement le moteur.

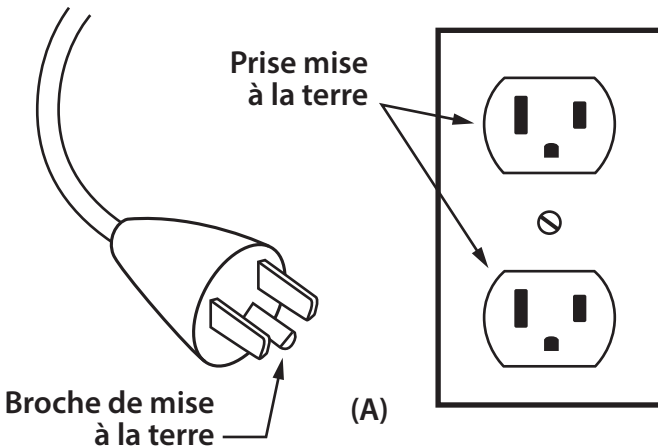
Utiliser uniquement une rallonge électrique fritillaire avec une fiche de mise à la terre à 3 broches.

Une rallonge sous-dimensionnée peut causer un affaiblissement de la tension secteur et une perte de puissance ainsi qu'une surchauffe.

En cas de doute, utiliser un numéro de calibre supérieur. Plus le numéro de calibre d'un cordon est petit, plus il peut transport de courant.

⚠️ ATTENTION

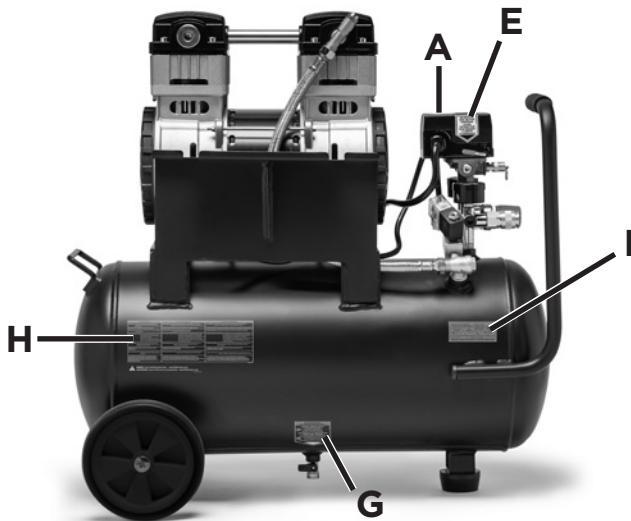
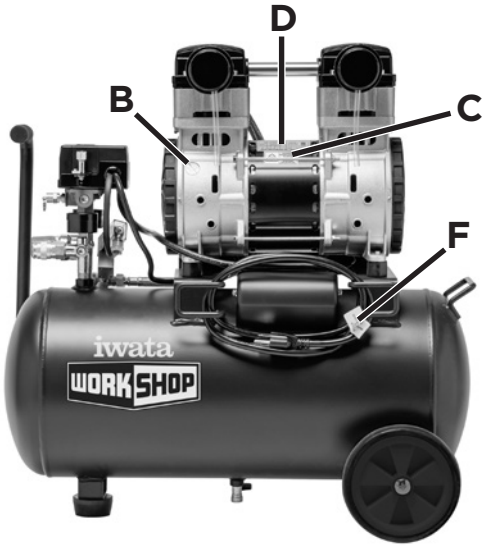
CET ÉQUIPEMENT INCORPORE DES PIÈCES, COMME DES INTERRUPTEURS À RESSORT, DES PRISES, ETC., QUI ONT TENDANCE À PRODUIRE DES ARCS OU DES ÉTINCELLES. PAR CONSÉQUENT, QUAND L'ÉQUIPEMENT EST SITUÉ DANS UN GARAGE, IL DOIT ÊTRE PLACÉ DANS UNE PIÈCE OU UNE ENCEINTE PRÉVUE À CETTE FIN, OU IL DOIT ÊTRE UTILISÉ À UNE HAUTEUR DE 45,7 CM (18 POUÇES) AU-DESSUS DU SOL, OU PLUS.














EMPLACEMENTS DES ÉTIQUETTES IMPORTANTES

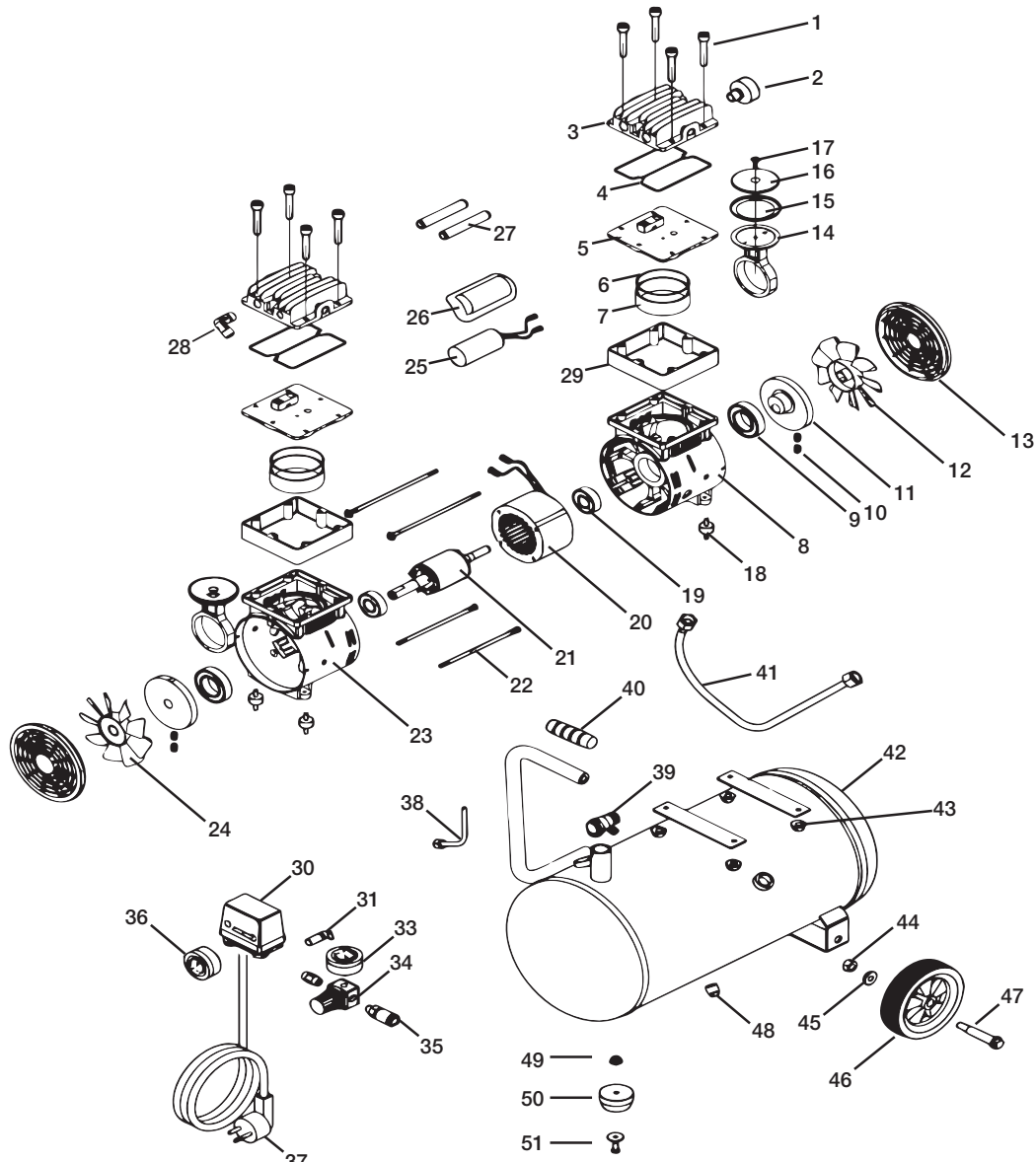
Lire ces étiquettes importantes avant de faire fonctionner la machine.

Ces étiquettes vous fournissent des informations importantes pour la sécurité et la maintenance. Ces étiquettes devraient être considérées comme des pièces permanentes du compresseur d'air. Si ces étiquettes deviennent illisibles, sont endommagées ou sont retirées, veuillez communiquer avec le Soutien à la clientèle d'Anest Iwata-Medea au 503-253-7308 du lundi au vendredi, 8 h-16 h 30 HNP.



Étiquettes de produit

A	 <p>WARNING AVERTISSEMENT</p> <p>DO NOT ADJUST FACTORY SETTINGS. TO REDUCE RISK OF ELECTRICAL SHOCK, DO NOT REMOVE COVER. PRESURE CONTROLS SET AT FACTORY FOR MAXIMUM SAFE OPERATION. NE PAS MODIFIER LES RÉGLAGES D'USINE. POUR RÉDUIRE LE RISQUE DE CHOC ÉLECTRIQUE, NE PAS RETIRER LE COUVERCLE. LES CONTRÔLES DE PRESSION SONT RÉGLÉS EN USINE POUR ASSURER UNE FONCTIONNEMENT OPTIMAL ET SÛR.</p>																																							
B																																								
C	 <p>WARNING AVERTISSEMENT</p> <p>HOT SURFACES. Do NOT touch. Allow to cool before servicing. SURFACES CHAUDES. Ne PAS toucher. Laisser refroidir avant de procéder à l'entretien.</p>																																							
D	<table border="1"> <tr> <td colspan="2">AIR PUMP POMPE À AIR</td> <td colspan="2">Conforms To UL Std. 1450</td> <td rowspan="2">  RECOMMENDED Certified To CAN/CSA Std. C22.2 No.68 Intertek 500499 </td> </tr> <tr> <td colspan="2">MODEL MODÈLE</td> <td colspan="2">S/No.</td> </tr> <tr> <td colspan="2">SP9421</td> <td colspan="2">000000000</td> <td></td> </tr> <tr> <td>Voltage</td> <td>Hz</td> <td>A</td> <td>Phase</td> <td>RPM</td> <td>Max. Working Pressure</td> </tr> <tr> <td>120</td> <td>60</td> <td>13</td> <td>1</td> <td>1680</td> <td>95-125PSI</td> </tr> <tr> <td colspan="6">ANEST IWATA-MEDEA, INC. MADE IN CHINA FABRIQUÉ EN CHINE</td> </tr> </table>	AIR PUMP POMPE À AIR		Conforms To UL Std. 1450		 RECOMMENDED Certified To CAN/CSA Std. C22.2 No.68 Intertek 500499	MODEL MODÈLE		S/No.		SP9421		000000000			Voltage	Hz	A	Phase	RPM	Max. Working Pressure	120	60	13	1	1680	95-125PSI	ANEST IWATA-MEDEA, INC. MADE IN CHINA FABRIQUÉ EN CHINE												
AIR PUMP POMPE À AIR		Conforms To UL Std. 1450		 RECOMMENDED Certified To CAN/CSA Std. C22.2 No.68 Intertek 500499																																				
MODEL MODÈLE		S/No.																																						
SP9421		000000000																																						
Voltage	Hz	A	Phase	RPM	Max. Working Pressure																																			
120	60	13	1	1680	95-125PSI																																			
ANEST IWATA-MEDEA, INC. MADE IN CHINA FABRIQUÉ EN CHINE																																								
E	 <p>USE SWITCH TO START AND STOP COMPRESSOR UTILISER L'INTERRUPTEUR POUR DÉMARRER ET ARRÊTER LE COMPRESSEUR</p>																																							
F	<table border="1"> <tr> <td> <p>WARNING! DO NOT USE EXTENSION CORD. USE AIR HOSE EXTENSION ONLY. AVERTISSEMENT! NE PAS UTILISER DE RALLONGE ÉLECTRIQUE. UTILISER UNIQUEMENT UNE EXTENSION DE FLEXIBLE D'AIR.</p> </td> <td> <p>WARNING! DO NOT USE EXTENSION CORD. USE AIR HOSE EXTENSION ONLY. AVERTISSEMENT! NE PAS UTILISER DE RALLONGE ÉLECTRIQUE. UTILISER UNIQUEMENT UNE EXTENSION DE FLEXIBLE D'AIR.</p> </td> </tr> </table>	<p>WARNING! DO NOT USE EXTENSION CORD. USE AIR HOSE EXTENSION ONLY. AVERTISSEMENT! NE PAS UTILISER DE RALLONGE ÉLECTRIQUE. UTILISER UNIQUEMENT UNE EXTENSION DE FLEXIBLE D'AIR.</p>	<p>WARNING! DO NOT USE EXTENSION CORD. USE AIR HOSE EXTENSION ONLY. AVERTISSEMENT! NE PAS UTILISER DE RALLONGE ÉLECTRIQUE. UTILISER UNIQUEMENT UNE EXTENSION DE FLEXIBLE D'AIR.</p>																																					
<p>WARNING! DO NOT USE EXTENSION CORD. USE AIR HOSE EXTENSION ONLY. AVERTISSEMENT! NE PAS UTILISER DE RALLONGE ÉLECTRIQUE. UTILISER UNIQUEMENT UNE EXTENSION DE FLEXIBLE D'AIR.</p>	<p>WARNING! DO NOT USE EXTENSION CORD. USE AIR HOSE EXTENSION ONLY. AVERTISSEMENT! NE PAS UTILISER DE RALLONGE ÉLECTRIQUE. UTILISER UNIQUEMENT UNE EXTENSION DE FLEXIBLE D'AIR.</p>																																							
G	 <p>WARNING AVERTISSEMENT</p> <p>DRAIN TANK DAILY OR AFTER EACH USE. READ OWNER'S MANUAL. BUSTES TANK CAN CAUSE EXPLOSION AND SEVERE OR FATAL INJURY IF NOT DRAINED PROPERLY. VIDANGER LE RÉSERVOIR TOUS LES JOURS OU APRÈS CHAQUE UTILISATION. LIRE LE MANUEL D'UTILISATION. UN RÉSERVOIR MOULÉ PEUT ENTRAINER UNE EXPLOSION ET DES BLESSURES GRAVES OU FATALES SI IL N'EST DRAINÉ PROPREMENT.</p>																																							
H	<table border="1"> <thead> <tr> <th>A WARNING</th> <th>A ADVERTENCIA</th> <th>A AVERTISSEMENT</th> </tr> </thead> <tbody> <tr> <td>READ MANUAL. TO REDUCE THE RISK OF ELECTRIC SHOCK, DO NOT REMOVE COVER. PRESURE CONTROLS SET AT FACTORY FOR MAXIMUM SAFE OPERATION.</td> <td>LEER EL MANUAL. PARA REDUCIR EL RIESGO DE CHOQUE ELÉCTRICO, NO QUITAR LA CUBIERTA. LOS CONTROLES DE PRESSION SON AJUSTADOS EN LA FABRICA PARA OBTENER EL MAXIMO RENDIMIENTO DE SEGURIDAD.</td> <td>LIRE LE MANUEL. POUR RÉDUIRE LE RISQUE DE CHOC ÉLECTRIQUE, NE PAS RETIRER LE COUVERCLE. LES CONTRÔLES DE PRESSION SONT RÉGLÉS EN USINE POUR ASSURER UNE FONCTIONNEMENT OPTIMAL ET SÛR.</td> </tr> <tr> <td>DO NOT ADJUST FACTORY SETTINGS. TO REDUCE RISK OF ELECTRICAL SHOCK, DO NOT REMOVE COVER. PRESURE CONTROLS SET AT FACTORY FOR MAXIMUM SAFE OPERATION.</td> <td>NO AJUSTAR LAS CONFIGURACIONES DE FABRICA. PARA REDUCIR EL RIESGO DE CHOQUE ELÉCTRICO, NO QUITAR LA CUBIERTA. LOS CONTROLES DE PRESSION SON AJUSTADOS EN LA FABRICA PARA OBTENER EL MAXIMO RENDIMIENTO DE SEGURIDAD.</td> <td>NE PAS MODIFIER LES RÉGLAGES D'USINE. POUR RÉDUIRE LE RISQUE DE CHOC ÉLECTRIQUE, NE PAS RETIRER LE COUVERCLE. LES CONTRÔLES DE PRESSION SONT RÉGLÉS EN USINE POUR ASSURER UNE FONCTIONNEMENT OPTIMAL ET SÛR.</td> </tr> <tr> <td>DO NOT TOUCH HOT SURFACES. ALLOW TO COOL BEFORE SERVICING.</td> <td>NO TOCAR LAS SUPERFICIES CALIENTES. DEJAR ENFRÍASE ANTES DE SERVICIAR.</td> <td>NE PAS TOUCHER LES SURFACES CHAUDES. LAISSER REFROIDIR AVANT DE PROCÉDER À L'ENTRETIEN.</td> </tr> <tr> <td>DO NOT USE EXTENSION CORD. USE AIR HOSE EXTENSION ONLY.</td> <td>NO USAR CABLE DE ALARGA. USAR ÚNICAMENTE EL FLEXIBLE DE AIRE.</td> <td>NE PAS UTILISER DE RALLONGE ÉLECTRIQUE. UTILISER UNIQUEMENT UNE EXTENSION DE FLEXIBLE D'AIR.</td> </tr> <tr> <td>DO NOT USE EXTENSION CORD. USE AIR HOSE EXTENSION ONLY.</td> <td>NO USAR CABLE DE ALARGA. USAR ÚNICAMENTE EL FLEXIBLE DE AIRE.</td> <td>NE PAS UTILISER DE RALLONGE ÉLECTRIQUE. UTILISER UNIQUEMENT UNE EXTENSION DE FLEXIBLE D'AIR.</td> </tr> <tr> <td>DO NOT USE EXTENSION CORD. USE AIR HOSE EXTENSION ONLY.</td> <td>NO USAR CABLE DE ALARGA. USAR ÚNICAMENTE EL FLEXIBLE DE AIRE.</td> <td>NE PAS UTILISER DE RALLONGE ÉLECTRIQUE. UTILISER UNIQUEMENT UNE EXTENSION DE FLEXIBLE D'AIR.</td> </tr> </tbody> </table>	A WARNING	A ADVERTENCIA	A AVERTISSEMENT	READ MANUAL. TO REDUCE THE RISK OF ELECTRIC SHOCK, DO NOT REMOVE COVER. PRESURE CONTROLS SET AT FACTORY FOR MAXIMUM SAFE OPERATION.	LEER EL MANUAL. PARA REDUCIR EL RIESGO DE CHOQUE ELÉCTRICO, NO QUITAR LA CUBIERTA. LOS CONTROLES DE PRESSION SON AJUSTADOS EN LA FABRICA PARA OBTENER EL MAXIMO RENDIMIENTO DE SEGURIDAD.	LIRE LE MANUEL. POUR RÉDUIRE LE RISQUE DE CHOC ÉLECTRIQUE, NE PAS RETIRER LE COUVERCLE. LES CONTRÔLES DE PRESSION SONT RÉGLÉS EN USINE POUR ASSURER UNE FONCTIONNEMENT OPTIMAL ET SÛR.	DO NOT ADJUST FACTORY SETTINGS. TO REDUCE RISK OF ELECTRICAL SHOCK, DO NOT REMOVE COVER. PRESURE CONTROLS SET AT FACTORY FOR MAXIMUM SAFE OPERATION.	NO AJUSTAR LAS CONFIGURACIONES DE FABRICA. PARA REDUCIR EL RIESGO DE CHOQUE ELÉCTRICO, NO QUITAR LA CUBIERTA. LOS CONTROLES DE PRESSION SON AJUSTADOS EN LA FABRICA PARA OBTENER EL MAXIMO RENDIMIENTO DE SEGURIDAD.	NE PAS MODIFIER LES RÉGLAGES D'USINE. POUR RÉDUIRE LE RISQUE DE CHOC ÉLECTRIQUE, NE PAS RETIRER LE COUVERCLE. LES CONTRÔLES DE PRESSION SONT RÉGLÉS EN USINE POUR ASSURER UNE FONCTIONNEMENT OPTIMAL ET SÛR.	DO NOT TOUCH HOT SURFACES. ALLOW TO COOL BEFORE SERVICING.	NO TOCAR LAS SUPERFICIES CALIENTES. DEJAR ENFRÍASE ANTES DE SERVICIAR.	NE PAS TOUCHER LES SURFACES CHAUDES. LAISSER REFROIDIR AVANT DE PROCÉDER À L'ENTRETIEN.	DO NOT USE EXTENSION CORD. USE AIR HOSE EXTENSION ONLY.	NO USAR CABLE DE ALARGA. USAR ÚNICAMENTE EL FLEXIBLE DE AIRE.	NE PAS UTILISER DE RALLONGE ÉLECTRIQUE. UTILISER UNIQUEMENT UNE EXTENSION DE FLEXIBLE D'AIR.	DO NOT USE EXTENSION CORD. USE AIR HOSE EXTENSION ONLY.	NO USAR CABLE DE ALARGA. USAR ÚNICAMENTE EL FLEXIBLE DE AIRE.	NE PAS UTILISER DE RALLONGE ÉLECTRIQUE. UTILISER UNIQUEMENT UNE EXTENSION DE FLEXIBLE D'AIR.	DO NOT USE EXTENSION CORD. USE AIR HOSE EXTENSION ONLY.	NO USAR CABLE DE ALARGA. USAR ÚNICAMENTE EL FLEXIBLE DE AIRE.	NE PAS UTILISER DE RALLONGE ÉLECTRIQUE. UTILISER UNIQUEMENT UNE EXTENSION DE FLEXIBLE D'AIR.																		
A WARNING	A ADVERTENCIA	A AVERTISSEMENT																																						
READ MANUAL. TO REDUCE THE RISK OF ELECTRIC SHOCK, DO NOT REMOVE COVER. PRESURE CONTROLS SET AT FACTORY FOR MAXIMUM SAFE OPERATION.	LEER EL MANUAL. PARA REDUCIR EL RIESGO DE CHOQUE ELÉCTRICO, NO QUITAR LA CUBIERTA. LOS CONTROLES DE PRESSION SON AJUSTADOS EN LA FABRICA PARA OBTENER EL MAXIMO RENDIMIENTO DE SEGURIDAD.	LIRE LE MANUEL. POUR RÉDUIRE LE RISQUE DE CHOC ÉLECTRIQUE, NE PAS RETIRER LE COUVERCLE. LES CONTRÔLES DE PRESSION SONT RÉGLÉS EN USINE POUR ASSURER UNE FONCTIONNEMENT OPTIMAL ET SÛR.																																						
DO NOT ADJUST FACTORY SETTINGS. TO REDUCE RISK OF ELECTRICAL SHOCK, DO NOT REMOVE COVER. PRESURE CONTROLS SET AT FACTORY FOR MAXIMUM SAFE OPERATION.	NO AJUSTAR LAS CONFIGURACIONES DE FABRICA. PARA REDUCIR EL RIESGO DE CHOQUE ELÉCTRICO, NO QUITAR LA CUBIERTA. LOS CONTROLES DE PRESSION SON AJUSTADOS EN LA FABRICA PARA OBTENER EL MAXIMO RENDIMIENTO DE SEGURIDAD.	NE PAS MODIFIER LES RÉGLAGES D'USINE. POUR RÉDUIRE LE RISQUE DE CHOC ÉLECTRIQUE, NE PAS RETIRER LE COUVERCLE. LES CONTRÔLES DE PRESSION SONT RÉGLÉS EN USINE POUR ASSURER UNE FONCTIONNEMENT OPTIMAL ET SÛR.																																						
DO NOT TOUCH HOT SURFACES. ALLOW TO COOL BEFORE SERVICING.	NO TOCAR LAS SUPERFICIES CALIENTES. DEJAR ENFRÍASE ANTES DE SERVICIAR.	NE PAS TOUCHER LES SURFACES CHAUDES. LAISSER REFROIDIR AVANT DE PROCÉDER À L'ENTRETIEN.																																						
DO NOT USE EXTENSION CORD. USE AIR HOSE EXTENSION ONLY.	NO USAR CABLE DE ALARGA. USAR ÚNICAMENTE EL FLEXIBLE DE AIRE.	NE PAS UTILISER DE RALLONGE ÉLECTRIQUE. UTILISER UNIQUEMENT UNE EXTENSION DE FLEXIBLE D'AIR.																																						
DO NOT USE EXTENSION CORD. USE AIR HOSE EXTENSION ONLY.	NO USAR CABLE DE ALARGA. USAR ÚNICAMENTE EL FLEXIBLE DE AIRE.	NE PAS UTILISER DE RALLONGE ÉLECTRIQUE. UTILISER UNIQUEMENT UNE EXTENSION DE FLEXIBLE D'AIR.																																						
DO NOT USE EXTENSION CORD. USE AIR HOSE EXTENSION ONLY.	NO USAR CABLE DE ALARGA. USAR ÚNICAMENTE EL FLEXIBLE DE AIRE.	NE PAS UTILISER DE RALLONGE ÉLECTRIQUE. UTILISER UNIQUEMENT UNE EXTENSION DE FLEXIBLE D'AIR.																																						
I	<table border="1"> <tr> <td colspan="2">2HP Oil-Free Air Compressor</td> <td colspan="2">Conforms to UL 1450</td> <td rowspan="2">  RECOMMENDED Certified to CAN/CSA Std. C22.2 No. 68-18 </td> </tr> <tr> <td colspan="2">Compressor d'air sans huile 2HP</td> <td colspan="2">S/No.</td> </tr> <tr> <td colspan="2">MODEL MODÈLE</td> <td colspan="2">IWC28S</td> <td></td> </tr> <tr> <td>Voltage</td> <td>AMP</td> <td>Hz</td> <td>Phase</td> <td>Tank / Gal U.S.</td> </tr> <tr> <td>120</td> <td>15</td> <td>60</td> <td>1</td> <td>Reservoir / Gal U.S. 8.0</td> </tr> <tr> <td>Working Pressure</td> <td colspan="4">Max Unit W.P./Factory Setting Pression de travail maxi de l'unité/Réglage d'usine</td> </tr> <tr> <td>Pression de travail</td> <td colspan="4">125 PSI / 95 - 125 PSI</td> </tr> <tr> <td colspan="5">Manufactured for Fabriqué pour: ANEST IWATA-MEDEA, INC. MADE IN MEXICO FABRIQUÉ AU MEXIQUE</td> </tr> </table>	2HP Oil-Free Air Compressor		Conforms to UL 1450		 RECOMMENDED Certified to CAN/CSA Std. C22.2 No. 68-18	Compressor d'air sans huile 2HP		S/No.		MODEL MODÈLE		IWC28S			Voltage	AMP	Hz	Phase	Tank / Gal U.S.	120	15	60	1	Reservoir / Gal U.S. 8.0	Working Pressure	Max Unit W.P./Factory Setting Pression de travail maxi de l'unité/Réglage d'usine				Pression de travail	125 PSI / 95 - 125 PSI				Manufactured for Fabriqué pour: ANEST IWATA-MEDEA, INC. MADE IN MEXICO FABRIQUÉ AU MEXIQUE				
2HP Oil-Free Air Compressor		Conforms to UL 1450		 RECOMMENDED Certified to CAN/CSA Std. C22.2 No. 68-18																																				
Compressor d'air sans huile 2HP		S/No.																																						
MODEL MODÈLE		IWC28S																																						
Voltage	AMP	Hz	Phase	Tank / Gal U.S.																																				
120	15	60	1	Reservoir / Gal U.S. 8.0																																				
Working Pressure	Max Unit W.P./Factory Setting Pression de travail maxi de l'unité/Réglage d'usine																																							
Pression de travail	125 PSI / 95 - 125 PSI																																							
Manufactured for Fabriqué pour: ANEST IWATA-MEDEA, INC. MADE IN MEXICO FABRIQUÉ AU MEXIQUE																																								



NO.	Pièce
1	Vis à tête
2	Filtre à air
3	Culasse de cylindre
4	Joint de culasse
5	Plaque porte-soupape
6	Joint de cylindre
7	Cylindre
8	Carter
9	Palier
10	Vis
11	Manivelle
12	Ventilateur
13	Couvercle du ventilateur

NO.	Pièce
14	Piston
15	Joint de piston
16	Retenue
17	Vis de retenue
18	Support du moteur
19	Palier
20	Stator
21	Rotor
22	Vis de boîtier
23	Carter
24	Ventilateur
25	Condensateur
26	Couvercle de condensateur

NO.	Pièce
27	Bielle
28	Coude
29	Stent de réglage
30	Manocontacteur
31	Soupape de sûreté
32	Connecteur
33	Jauge
34	Régulateur
35	Raccord à montage rapide
36	Jauge
37	Cordon électrique
38	Tuyau flexible de sortie
39	Clapet de non-retour

NO.	Pièce
40	Poignée
41	Flexible
42	Réservoir de 8 gallons
43	Rondelle de support du moteur
44	Écrou
45	Rondelle
46	Roue
47	Boulon
48	Robinet de vidange
49	Écrou
50	Pied amortisseur
51	Boulon

Liste de vérification préopérationnelle

Contenu de l'emballage et montage

Modèle : IWC28S

Contenu de l'emballage :

Compresseur d'air

Flexible d'air de 7.6 m (25 pi)

Raccord BSPP vers mâle à démontage rapide 1/4 po

Manuel d'utilisation

Filtre à air

Kit de montage roues et pieds :

2 - #44 Écrou - 17mm (11/16")

2 - #45 Rondelles

2 - #46 Roue

2 - #47 Boulons de roues (cruciformes)

1 - #49 Écrou - 13mm (1/2")

1 - #50 Pied amortisseur

1 - #51 Boulon - 13mm (1/2")

Montage :

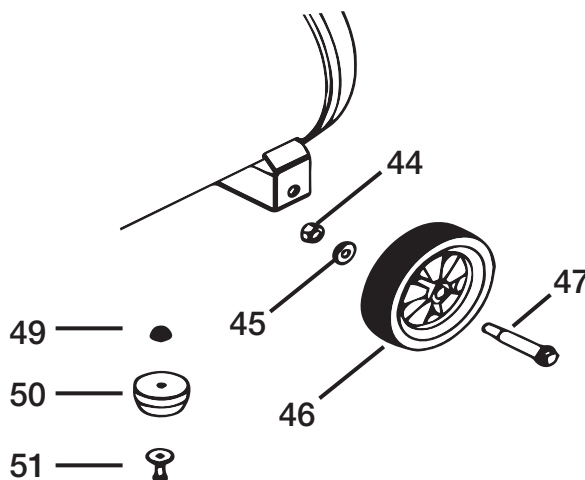
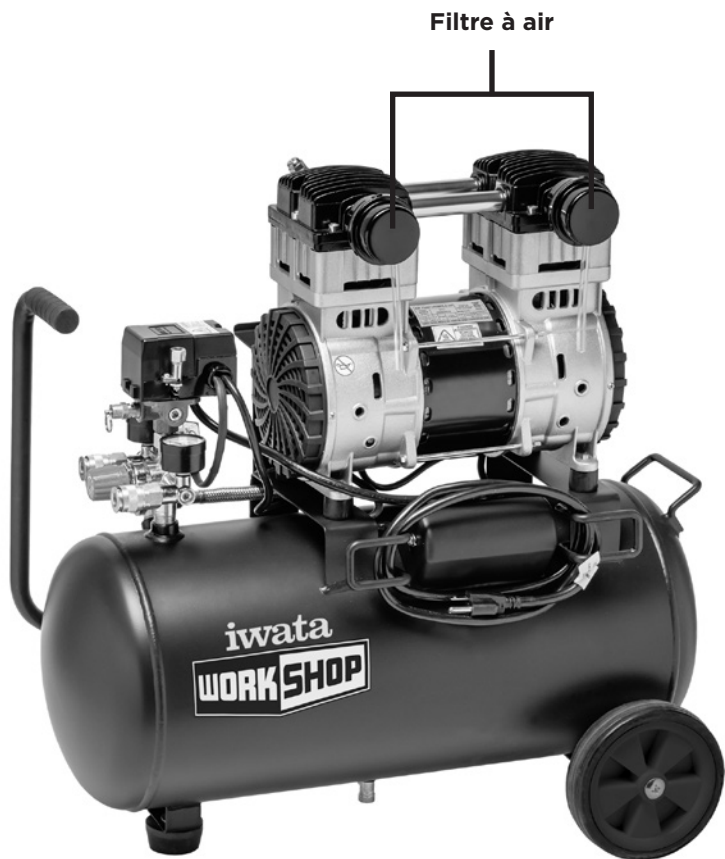
Installer le filtre à air

1. Fixer le filtre à air en haut à l'arrière de la tête de moteur.
(En regardant de l'avant vers l'arrière du compresseur d'air.)

Visser le filtre à air dans le port de la tête de moteur qui se trouve sous le cache de la tête en plastique.

Installer le kit de roues

1. Glisser le boulon n°47 dans la roue n°46.
2. Glisser le boulon n°47 dans le trou de support de roue situé en bas à l'arrière du réservoir du compresseur d'air.
3. Attacher la rondelle n°45 et l'écrou n°44 au boulon n°47 et serrer fermement.
4. Répéter les étapes 1-3 pour monter l'autre roue.
5. Glisser le boulon n°51 dans le pied amortisseur n°50
6. Glisser le boulon n°51 dans le trou de support du pied amortisseur situé en bas à l'avant du compresseur d'air.
7. Attacher l'écrou n°49 au boulon n°51 fermement.



Inspecter pour voir s'il y a des dommages

Avant d'utiliser le compresseur d'air, s'assurer que le réservoir d'air n'est pas endommagé, inspecter toutes les pièces pour voir si elles sont endommagées, et vérifier que tous les tuyaux sont connectés fermement.

Ne pas utiliser le compresseur si le moindre dommage est trouvé. Si des dommages sont présents, demander à un centre de services agréé d'inspecter et de tester le compresseur d'air pour s'assurer qu'il fonctionne correctement.

Conserver l'emballage

IMPORTANT : Conserver tout l'emballage extérieur dans le cas où vous auriez besoin de retourner le produit pour un entretien ou une réparation.

Emplacement du compresseur

Utiliser sur une surface plate

Pour fonctionner correctement, le compresseur d'air doit être placé sur une surface plate avec une inclinaison qui ne doit pas être supérieure à 15 degrés.

S'assurer de disposer d'une zone dégagée

Il est très important que le compresseur d'air soit positionné de manière à ce que l'air circule de façon adéquate autour de la machine. Il devrait y avoir un espace d'au moins 60 cm (2 pieds) et libre de tout obstacle autour et au-dessus du compresseur d'air.

⚠ AVERTISSEMENT



EXPLOSION



INCENDIE

Faire preuve de prudence pour minimiser le risque d'incendie ou d'explosion.

Il est normal que le moteur du compresseur d'air et que le commutateur de pression produisent des étincelles lors du fonctionnement de la machine. Si les étincelles entrent en contact avec les vapeurs d'essence ou des solvants, il se peut qu'elles s'enflamment et entraînent un incendie ou une explosion.

Les outils abrasifs tels que les meules, les perceuses et autres outils similaires sont capables de générer des étincelles qui peuvent enflammer les matériaux inflammables.

Toujours faire fonctionner le compresseur d'air à une distance sécuritaire des objets inflammables. Utiliser dans des endroits bien ventilés.

Ne jamais dépasser la pression nominale maximale.

⚠ AVERTISSEMENT



RISQUE POUR LES VOIES RESPIRATOIRES

La poussière ou les particules semblables à la poussière créées par les travaux de sablage, sciage, meulage ou perçage ou par toute autre activité assimilée à la construction peuvent contenir des contaminants qui sont nocifs si vous les respirez.

Toujours utiliser votre compresseur d'air dans un endroit propre et bien ventilé.

Ne jamais respirer l'air qui sort directement du compresseur d'air ou du flexible d'air. Cet air n'est pas respirable.

Toujours porter l'équipement de sécurité approuvé. Quand vous effectuez des activités générant de la poussière, portez des masques et respirateurs bien ajustés sur le visage.

Si vous vous sentez malade après avoir respiré l'air pendant le fonctionnement de votre compresseur d'air, arrêtez-vous et obtenez des soins médicaux immédiatement.

Utiliser dans les zones où l'air est propre

Pour garantir le bon fonctionnement du compresseur d'air et maximiser sa longévité, il est très important que l'air entrant dans le compresseur d'air soit propre. Le compresseur d'air ne doit pas être utilisé dans les zones où de la poussière ou des particules sont présentes dans l'air. Ceci endommagerait le moteur et nuirait à son bon fonctionnement.

Il s'agit d'un impératif : Toujours utiliser le filtre à air, correctement installé.

ALIMENTATION ÉLECTRIQUE

Puissance électrique requise

⚠ DANGER



CHOC

Un risque de choc électrique existe.

Utiliser seulement des cordons électriques non endommagés.

NE PAS toucher les fils dénudés ou les prises.

NE PAS faire fonctionner le compresseur d'air par temps humide ou conditions humides.

NE PAS toucher le compresseur d'air ou les cordons si vos mains ou vos pieds sont mouillés.

S'assurer qu'aucun cordon ne présente de dommage avant son raccordement à l'alimentation électrique.

S'assurer d'avoir une alimentation en électricité suffisante pour répondre aux besoins du moteur.

Toute installation inadéquate de la fiche de terre peut entraîner un risque de choc électrique. Si le cordon ou la fiche doivent être réparés ou remplacés, ne pas brancher les fils de terre à l'une ou l'autre des bornes plates. Le fil ayant une isolation dont la surface extérieure est verte avec ou sans rayures jaunes est le fil de terre.

Ce produit doit être relié à la terre. En cas de court-circuit électrique, la terre réduit le risque de choc électrique en permettant au courant électrique de s'échapper par le fil de terre.

Ce produit est équipé d'un cordon doté d'un fil de terre ainsi que d'une fiche de terre appropriée. La fiche doit être branchée à une prise murale ayant été installée et mise à la terre correctement, conformément aux codes et règlements locaux.

Ce produit doit être utilisé sur un circuit nominal de 120 V et possède une fiche de terre qui est similaire à la fiche illustrée dans le dessin A. Ne connecter le produit qu'à une prise murale ayant la même configuration que la fiche.

Ne pas utiliser d'adaptateur avec ce produit.

Avant d'utiliser le compresseur d'air, se reporter à la plaque signalétique du compresseur pour connaître les exigences de tension et d'intensité. S'assurer de disposer d'une alimentation en électricité suffisante pour répondre aux besoins du moteur.

Pour obtenir les meilleurs résultats, utiliser un circuit de 15 ampères dédié. Une tension faible ou un circuit surchargé peut entraîner le déclenchement de la protection contre les surcharges du moteur.

Cordons de rallonge électrique

⚠ ATTENTION

Faire preuve de prudence lorsque vous utilisez des rallonges électriques.

Utiliser une rallonge électrique ne mesurant pas plus de 7,6 m (27') et de calibre 14 au minimum.

L'utilisation d'une rallonge électrique plus longue ou à fils fins peut endommager gravement le moteur.

Utiliser uniquement une rallonge électrique fritillaire avec une fiche de mise à la terre à 3 broches.

Une rallonge sous-dimensionnée peut causer un affaiblissement de la tension secteur et une perte de puissance ainsi qu'une surchauffe.

En cas de doute, utiliser un numéro de calibre supérieur. Plus le numéro de calibre d'un cordon est petit, plus il peut transporter de courant.

Inspecter tous les cordons de rallonge électrique pour s'assurer qu'ils ne sont pas endommagés.

Lorsque vous utilisez une rallonge électrique, utilisez un cordon ultra-robuste ne mesurant pas plus de 7,5 mètres (25 pieds) et de calibre 14 au minimum. Utiliser uniquement une rallonge électrique fritillaire avec une fiche de mise à la terre à 3 broches.

UTILISATION DU COMPRESSEUR D'AIR

⚠ AVERTISSEMENT

Ce manuel contient des instructions importantes concernant le fonctionnement du produit. Pour votre sécurité, et la sécurité des autres, assurez-vous de lire ce manuel attentivement avant de faire fonctionner le produit.

Le non-respect de toutes les instructions et précautions entraîne un risque de blessures graves ou même de mort qui peut survenir pour vous et toute autre personne.

Conserver ce manuel pour pouvoir vous y reporter plus tard.

Introduction

Ce compresseur d'air possède une structure compacte et offre une performance stable et un taux de débit d'air élevé, tout en étant facile à installer et à entretenir. Parce que le compresseur d'air ne produit pas d'huile dans l'écoulement de l'air, il est possible de l'utiliser comme une machine de génération d'air d'appoint indépendante pour les situations où la présence d'huile dans le débit d'air pose un problème. Le moteur entraîne directement les pistons et peut fonctionner sans lubrification pendant de longues périodes.

Montage

1. Connecter votre tuyau d'alimentation en air à un raccord à montage rapide universel ou industriel mâle de 1/4 po. Connecter le raccord à montage rapide mâle au raccord à montage rapide femelle situé sur le compresseur d'air.
2. S'assurer que le robinet de vidange est fermé et que le manocontacteur est en position d'arrêt (OFF).
3. S'assurer que l'alimentation électrique que vous utilisez fonctionne normalement.
4. Insérer le cordon d'alimentation électrique dans la prise d'alimentation électrique.

ESSAI

Avant d'utiliser le compresseur d'air pour la première fois, effectuer l'essai suivant :

1. Tourner l'interrupteur d'alimentation en position d'arrêt (OFF). Brancher le cordon d'alimentation électrique dans la prise d'alimentation électrique. Démarrer le compresseur d'air en tournant l'interrupteur d'alimentation en position de marche (ON). La valeur indiquée par le manomètre s'élève lentement à mesure que la pression augmente dans le réservoir d'air. Quand la valeur indiquée sur le manomètre indique ~125 PS I, le manostat coupe automatiquement le courant. Cela vous indique que le compresseur fonctionne normalement.
2. Placer l'interrupteur d'alimentation en position d'arrêt (Off), débrancher le cordon d'alimentation électrique et purger l'air dans le réservoir en tirant sur la soupape de sûreté. À ce stade, passer à l'étape suivante (utilisation quotidienne).

Remarque : Si le compresseur d'air ne fonctionne pas correctement, le manomètre indique une diminution de la pression dans le réservoir d'air. En cas de fuite d'air du compresseur, la pression dans le réservoir d'air diminue, l'interrupteur de pression se réinitialise et le moteur se remet en marche automatiquement.

En cas de détection d'une fuite d'air, placer l'interrupteur d'alimentation en position d'arrêt (Off), purger l'air du réservoir en tirant sur la soupape de sûreté. Débrancher le cordon d'alimentation électrique et communiquer avec le soutien à la clientèle pour obtenir de l'aide.

⚠ AVERTISSEMENT



SURFACE CHAUDE



INCENDIE

Les surfaces du compresseur d'air deviennent chaudes lors de son fonctionnement.

NE PAS toucher les surfaces chaudes, parce qu'elles peuvent causer des brûlures graves.

Ne pas toucher la culasse de cylindre du compresseur d'air. Pendant le fonctionnement, les ailettes de refroidissement de la culasse de cylindre et du tube de refoulement deviennent chaudes.

Laisser le compresseur d'air refroidir avant de le toucher.

NE PAS placer de capot de stockage sur l'appareil pendant son fonctionnement. Placer un capot sur le compresseur d'air uniquement après qu'il ait complètement refroidi.

⚠ AVERTISSEMENT



OBJETS VOLANTS

Les objets volants peuvent causer des blessures aux yeux, à la tête et aux autres parties du corps.

Les équipements pneumatiques et les outils électriques sont capables de projeter des objets (copeaux de bois, fixations et particules) à haute vitesse dans l'air et peuvent entraîner des blessures.

Toujours porter une protection pour tête et pour yeux approuvée.

Ne jamais orienter le jet d'air vers quelque partie du corps que ce soit, ou vers une autre personne ou vers un animal.

Lors du fonctionnement du compresseur d'air, s'assurer que toutes les autres personnes et que tous animaux soient tenus à une distance sécuritaire.

Ne pas déplacer le compresseur d'air lorsque le réservoir d'air est sous pression.

Ne jamais utiliser les flexibles d'air pour tirer ou déplacer le compresseur d'air.

Garder le compresseur d'air sur une surface horizontale.

UTILISATION QUOTIDIENNE

Démarrage du compresseur :

1. Tourner l'interrupteur d'alimentation en position d'arrêt (OFF).
2. Attacher un flexible d'air à un raccord à montage rapide industriel mâle de 1/4 po. Attacher le flexible d'air au connecteur femelle du compresseur d'air
3. Fermer le robinet de vidange.
4. Faire attacher le filtre à air
5. Brancher le cordon d'alimentation électrique dans la prise d'alimentation électrique.
6. Tourner l'interrupteur d'alimentation en position de marche (ON).
7. Laisser le moteur tourner et le réservoir se remplir jusqu'à ce que le moteur s'arrête.
8. Pour réguler le débit d'air :

Pendant que le compresseur est en marche, mettre votre outil en marche et tourner le bouton de régulation vers la droite pour augmenter la pression. Faire augmenter la pression jusqu'à ce que la pression désirée soit atteinte.

9. Utiliser l'outil à air normalement.

Ne pas faire fonctionner de façon ininterrompue pendant plus d'une (1) heure.

Arrêt du compresseur :

1. Tourner l'interrupteur d'alimentation en position d'arrêt (OFF).
2. Débrancher le cordon d'alimentation électrique.
3. Réduire la pression dans le réservoir d'air grâce au robinet de vidange. Purger l'air et l'eau restants à l'aide du robinet de vidange.

MAINTENANCE

Purge du réservoir d'air

La fréquence à laquelle vous devriez purger le réservoir d'air dépend des conditions environnementales et du nombre d'heures de fonctionnement enregistrées. La fréquence moyenne de purge est tous les 1 ou 2 jours.

1. Placer le compresseur d'air au-dessus d'un conteneur capable de contenir de l'eau.
2. Avec de l'air comprimé dans le réservoir d'air, tourner lentement le bouton du robinet de vidange vers la position avant (ouvert) ou la position droite.

L'eau dans le réservoir d'air se videra.

3. Une fois que toute l'eau accumulée a été vidée, tourner le bouton du robinet de vidange en position fermée ou gauche pour éviter toute fuite.
4. La vidange du réservoir d'air protège les pièces de la rouille et de la corrosion.

Nettoyage ou remplacement du filtre à air

Le filtre à air a été conçu pour réduire le bruit et contribuer à empêcher les particules en suspension dans l'air d'entrer dans le compresseur d'air et de l'endommager.

Après une certaine période d'utilisation, le filtre à air devient obstrué. Cette obstruction réduira les capacités d'aspiration de l'air du compresseur d'air, ou réduira sa performance. Par conséquent, le filtre à air doit être nettoyé ou remplacé régulièrement.

1. Ouvrir le couvercle du filtre à air, puis déposer l'élément du filtre à air.
2. Pour nettoyer l'élément, souffler ou passer une brosse pour retirer la saleté ou la poussière.
3. S'il est colmaté, le remplacer par un filtre à air neuf.

Test d'étanchéité

S'assurer que toutes les connexions soient étanches. Ne pas serrer excessivement.

Une petite fuite dans un flexible ou un raccord de tuyau réduira la performance du compresseur d'air.

Pour tester la présence de petites fuites, vaporiser une petite quantité d'eau savonneuse sur la zone de la fuite soupçonnée. Si le savon fait des bulles, remplacer la pièce cassée.

Nettoyage

Nettoyer les éléments avec une brosse douce, ou les essuyer avec un chiffon humidifié et un solvant biodégradable.

Ne pas utiliser de liquides inflammables comme l'essence ou l'alcool.

Toujours garder les pièces propres de toute saleté et de toute poussière pour optimiser leur performance.

Manocontacteur

Le manocontacteur est pré-réglé en usine pour couper à -125 PSI et pour s'enclencher à -95 PSI.

ENTREPOSAGE

Avant tout entreposage pour une période prolongée :

1. Éteindre l'alimentation électrique.
2. Déconnecter le cordon électrique de l'alimentation électrique et enrouler le cordon électrique autour de la poignée du compresseur d'air pour réduire le risque d'endommagement.
3. Tirer sur la vanne de décharge et décharger toute la pression du réservoir d'eau. Vider l'eau du réservoir à l'aide du robinet de vidange.
4. Nettoyer le compresseur d'air pour retirer toute la saleté et la poussière.
5. Couvrir le compresseur d'air avec un couvercle afin de protéger l'appareil de la poussière et de l'humidité.
6. Ne pas empiler ou ne pas entreposer d'objets sur ou autour du compresseur d'air. Des dommages pourraient se produire.

ATTENTION

POUR RÉDUIRE LE RISQUE DE CHOC ÉLECTRIQUE, NE PAS EXPOSER À LA PLUIE.

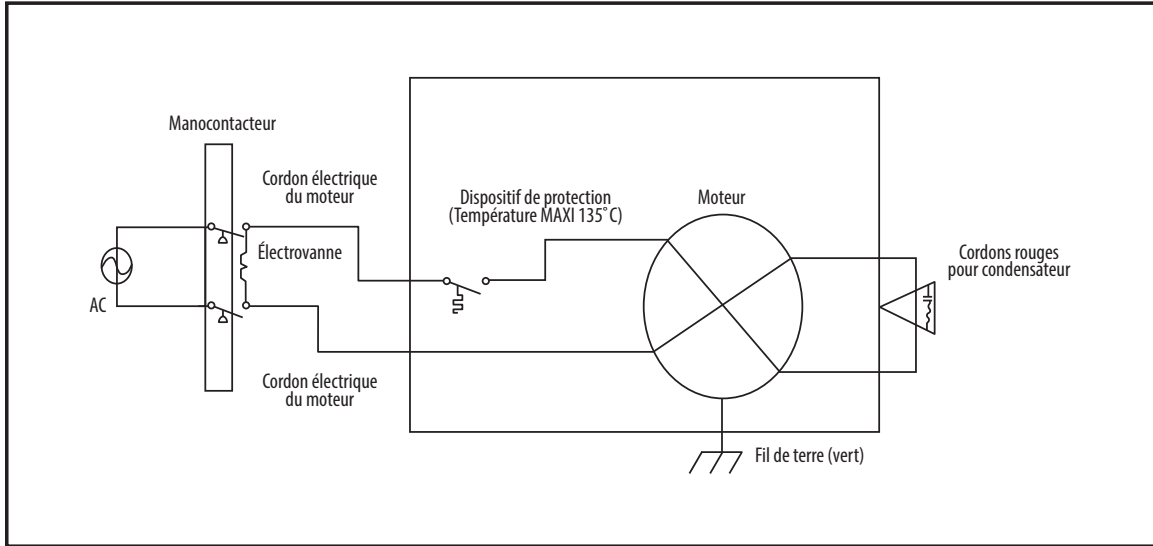
ENTREPOSER À L'INTÉRIEUR.

DIAGNOSTIC DE PANNE

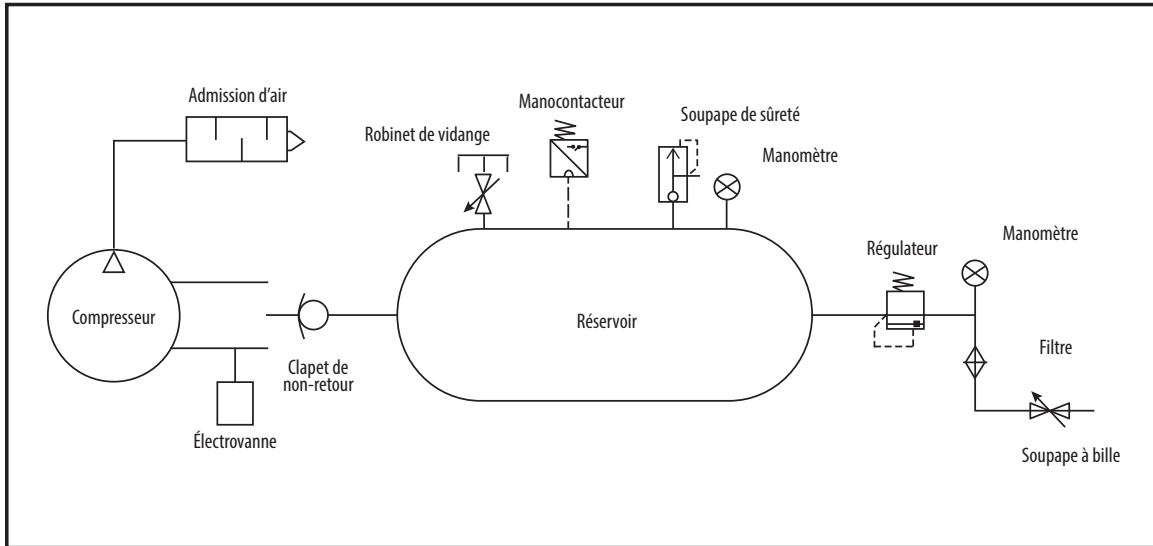
PROBLÈME	CAUSE POSSIBLE	SOLUTIONS POSSIBLES
Chute de pression dans le réservoir.	Fuites d'air au niveau des connexions.	Laisser le compresseur faire augmenter la pression dans le réservoir, jusqu'à atteindre la pression maximale, si possible. Avec une brosse, appliquer de l'eau savonneuse sur les connexions d'air et regarder attentivement pour détecter toute formation de bulles. Serrer les connexions qui fuient. Si le problème persiste, communiquer avec votre revendeur pour obtenir ses conseils.
La soupape de décompression fuit quand le compresseur est au ralenti.	Le joint de la soupape de décompression est défectueux.	Laisser l'air du réservoir d'air s'échapper jusqu'à ce que la pression soit déchargée. Puis, retirer le bouchon de la soupape de décompression et nettoyer le joint de la soupape. S'il y a lieu, remplacer le joint puis réinstaller tous les composants.
Le compresseur s'est arrêté et ne démarre plus.	Le dispositif de protection thermique s'est enclenché parce que le moteur surchauffait.	Vérifier que la tension du réseau est conforme aux spécifications du compresseur d'air. Une rallonge trop fine ou trop longue peut causer une chute de tension et entraîner la surchauffe du moteur. Une utilisation excessive (plus de 1 heure de fonctionnement continu) peut entraîner la surchauffe du moteur. Laisser le moteur refroidir.
	Les enroulements du moteur sont grillés.	Contactez le soutien à la clientèle.
Le moteur ne démarre pas et émet un bourdonnement.	Le condensateur a grillé.	Contactez le soutien à la clientèle.
Le moteur ne démarre pas ou démarre lentement.	Tension d'alimentation basse arrivant au moteur.	Vérifier que la tension du réseau est conforme aux spécifications du compresseur d'air. Une rallonge trop fine ou trop longue peut causer une chute de tension. Utiliser des rallonges électriques ultra-robustes. S'assurer que le compresseur d'air est branché à une prise électrique entièrement fonctionnelle.
Le compresseur est bruyant, présence de bruits métalliques.	Le joint de culasse du compresseur ou la soupape flexible est endommagé.	Arrêter le compresseur et communiquer avec le revendeur.
Le compresseur n'atteint pas la pression maximale.	Le joint de culasse du compresseur ou la soupape flexible est défectueux.	Arrêter le compresseur et communiquer avec le revendeur.
Le compresseur ne semble pas fournir autant d'air que lorsqu'il était neuf, ou le compresseur s'arrête au bout d'une période beaucoup plus courte.	Le manocontacteur a besoin d'être ajusté.	Arrêter le compresseur et communiquer avec le revendeur.
	Le réservoir est plein d'eau en raison de la condensation.	Ouvrir le robinet de vidange et vider l'eau du réservoir.
La pompe du moteur ne fonctionne pas lorsque la pression du réservoir atteint sa pression de travail maximale (125 PSI, soit 8,6 bar).	Le manocontacteur est défectueux ou doit être ajusté.	Arrêter immédiatement le compresseur et communiquer avec le soutien à la clientèle.

SPÉCIFICATIONS

Circuit électrique



Dessin de passage d'air



GARANTIE LIMITÉE DU COMPRESSEUR AÉROGRAPHE IWATA :

Cette garantie limitée est accordée à l'acheteur initial de ce compresseur aérographe auprès d'un revendeur Iwata autorisé et garantit le produit contre tout défaut de matériaux ou de fabrication pendant une période de UN (1) an à partir de la date d'achat. À sa discrétion, Anest Iwata-Medea, Inc. fournira des pièces de rechange, réparera ou remplacera l'appareil, lorsqu'une demande valide est déposée. Une demande valide comprend une preuve d'achat provenant d'un revendeur Iwata autorisé.

RESPONSABILITÉS DU PROPRIÉTAIRE :

Ce compresseur aérographe doit être utilisé conformément aux instructions écrites et fournies avec ce compresseur aérographe. Cette garantie n'exempte pas le propriétaire d'entretenir correctement ce compresseur aérographe conformément aux instructions écrites et fournies avec ce compresseur aérographe. Un contrat de vente, un chèque payé ou un versement effectué doivent être conservés afin d'établir la date d'achat et la période de garantie. Le carton original devrait être conservé dans le cas d'un retour sous garantie de l'appareil.

CE QUE NE COUVRE PAS CETTE GARANTIE :

1. Dommages causés par une mauvaise utilisation ou une utilisation qui est contraire au manuel d'utilisation et aux directives de sécurité.
2. Dommages causés par une source d'alimentation électrique externe, un convertisseur de puissance ou un groupe électrogène.
3. Filtres d'admission
4. Utilisation de composants du compresseur aérographe Iwata non standard.

Les frais de transport des pièces garanties ou des compresseurs aérographe en provenance et à destination de l'usine sont la responsabilité du propriétaire. Cette garantie n'implique ni ne présume une responsabilité relativement aux dommages indirects qui peuvent résulter de l'utilisation, d'une mauvaise utilisation, ou du manque de maintenance systématique de ce compresseur aérographe. Des frais de nettoyage ainsi que le coût des pièces peuvent être facturés en cas de pannes du compresseur aérographe résultant d'un manque de maintenance.

La présente garantie ne couvre pas les demandes n'ayant pas trait à un défaut de matériau ou de fabrication. **UN MANQUE DE MAINTENANCE GÉNÉRALE (Y COMPRIS NETTOYAGE DES FILTRES D'ADMISSION) ANNULERA CETTE GARANTIE.**

CETTE GARANTIE LIMITÉE EST FOURNIE À L'ACHETEUR À LA PLACE DE TOUTES AUTRES GARANTIES, EXPRESSES OU IMPLICITES, NOTAMMENT LES GARANTIES DE COMMERCIALISABILITÉ ET D'ADAPTATION ET EST LIMITÉE À LA DURÉE DE CETTE GARANTIE ÉCRITE. LE RECOURS PRÉVU PAR LA PRÉSENTE GARANTIE EST EXCLUSIF ET EST OCTROYÉ À LA PLACE DE TOUS AUTRES RECOURS. EN AUCUN CAS ANEST IWATA-EDEA, INC. NE PEUT ÊTRE TENUE POUR RESPONSABLE POUR DES DOMMAGES INDIRECTS OU CONSÉCUTIFS.

Certains États n'autorisent pas les limitations de la durée d'une garantie implicite, la limitation ci-dessus peut donc ne pas s'appliquer à votre cas. Certains États n'autorisent pas l'exclusion ou la restriction de dommages indirects ou consécutifs, la restriction ou l'exclusion ci-dessus peut donc ne pas s'appliquer à votre cas.

iwata

by ANEST IWATA

www.iwata-airbrush.com