

iwata

by ANEST IWATA

neo

for iwata

AIRBRUSH SERIES

CN | BCN

Operating Instruction Manual

IWATA 5 WAYS TO SPRAY
**EFFORTLESS
COVERAGE™**

手頃で手軽

Iwata Revolution Series and NEO For Iwata Series airbrushes deliver soft, effortless coverage at low air pressures. Fine atomization is achieved with the smallest of air compressors, making these airbrushes a simple choice for medium spray applications and for anyone wanting to start airbrushing for the first time.

NEED ASSISTANCE ?

If you have any issues or warranty service questions, contact your local ANEST IWATA affiliate before returning to your place of purchase.

ANEST IWATA-MEDEA, INC.

Portland, Oregon U.S.A.
+1-503-253-7308 (M-F)
info@iwata-medea.com
www.iwata-airbrush.com

ANEST IWATA SOUTH-EAST ASIA CO., LTD.

Bangkok, Thailand
+66-(0)-2643-2870
www.anest-iwatasoutheastasia.com

ANEST IWATA SOUTH AFRICA (PTY) LTD.

Johannesburg, Republic of South Africa
+27-11-463-2169/2265/2223
www.anest-iwata.co.za

ANEST IWATA CORPORATION

Yokohama, Japan
+81-(0)45-591-1111
www.anest-iwata.co.jp

ANEST IWATA STRATEGIC CENTER

Cardano al Campo, Italy
+39-0331-733120
www.anest-iwataeu.com

ANEST IWATA SHANGHAI

Shanghai, China
+86-(0)21-6407-9713 / 15 / 16
www.anest-iwata-sh.com

ANEST IWATA RUS LLC

Moscow, Russia
+7-495-938-77-28
www.anestiwata.ru

ANEST IWATA AUSTRALIA PTY LTD.

Mt. Druitt, NSW
+61-(02)-9853-2000
www.anest-iwata.com.au

ANEST IWATA (U.K.) LTD.

Neots Cambs, England
+44-(0)1480-405419
www.anest-iwata.co.uk

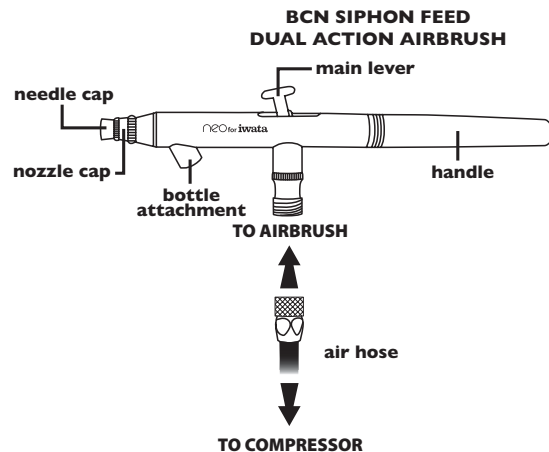
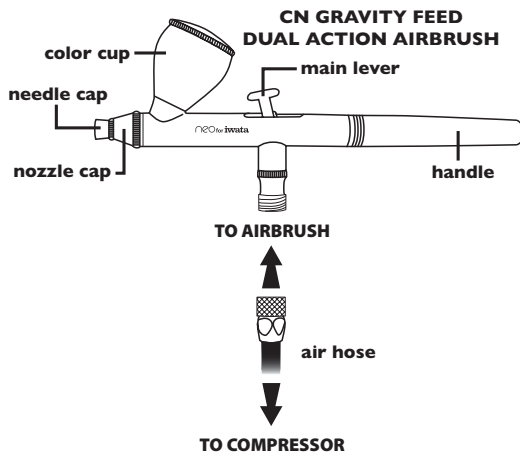
ANEST IWATA MOTHERSON LTD.

Uttar Pradesh, India
+91-(0)120-4600500 / 14 / 17
www.aircompressors.com

CENTURY TRADING CO., LTD.

Seoul, Korea
82-2-2163-0300
www.centradng.co.kr

ASSEMBLY



GENERAL OPERATION

Fine-Line Spray

1. Depress the main lever to start air flow.
2. Position the airbrush close to the surface, between 1/16 and 1/2 inch is common.
3. Pull the main lever back slightly to start the flow of paint.

Line thickness can be controlled by adjusting the distance between the airbrush and the surface and also by varying the paint flow by manipulating the main lever's position.

Wide-Line and Background Spraying

1. Depress the main lever.
2. Position the airbrush further away from the surface, from 1 to 6 inches is common.
3. Pull the main lever back much farther releasing more paint to cover the bigger area.

Increase the distance between the airbrush and painted surface to control the line's width. Increasing the air pressure will also affect the spray width.

Air Pressure

For the NEO, working pressures generally vary between 10 and 60 psi, depending on what type of work is being done and what textures are desired. A good working pres-

sure may average around 8-20 psi. The viscosity of the paint and your desired spray characteristics will also affect your ideal pressure. As a general rule, larger amounts of paint or thicker paints, will be sprayed with higher pressures.

WARNING: Do not exceed 100psi.

Paint Preparation

For non-airbrush-ready paints, proper preparation, including filtering the paint through a nylon mesh, is recommended for best performance. Paint should be thinned. It is best to prepare paint relatively thin and make repeated passes across the work to achieve the desired shade. This will also improve the quality of your work and decrease the cleaning time of your airbrush.

Safety Tips

- Always spray in a well-ventilated area.
- Use the appropriate respirator to safely filter out the paint vapors particular to the kind of paint you are using.
- Wear eye protection to prevent paint contact with eyes.
- Never use air pressure that exceeds the airbrush's limit (100 psi).

MAINTENANCE

Cleaning the Airbrush (BCN)

1. Remove the paint bottle.
2. Attach a bottle containing the appropriate cleaning solution.
(Note: Medea Airbrush Cleaner works great for water-based media.)
3. Spray until the solution sprays clear.
4. Remove the bottle of cleaning solution.
5. Spray air until the airbrush sprays dry.
6. Attach a bottle containing the next color.
7. Repeat cleaning procedure when finished.

Cleaning the Airbrush (CN)

1. Dump out the color cup's excess paint.
2. Rinse the cup with the appropriate cleaning solution.
(Note: Medea Airbrush Cleaner works great for water-based media.)
3. Use a paper towel to wipe out any left-over paint.
4. Fill the bottom of the cup with cleaner.
5. Spray cleaner until the spray is clear.
6. Add the next color to the color cup.
7. Repeat cleaning procedure when finished.

Cleaning the Needle (BCN, CN)

Before removing the needle, clean the airbrush as recommended.

1. Unscrew the handle from the airbrush body.
2. Loosen the needle chucking nut.
3. Gently pull the needle straight out.
4. Fold a soft cloth damp with cleaner over the needle.
5. Rotate the needle to gently wipe the residual paint off.
6. Carefully insert the needle into the airbrush until it seats fully against the nozzle.
CAUTION: The most probable time to damage the needle is when the needle passes through the main lever. If the needle stops abruptly, retract and examine the trigger mechanism for proper assembly and re-insert the needle.
7. Tighten the needle chucking nut finger tight.
 - Pull the main lever back and forth to visually confirm the needle's ability to move.
8. Screw the handle back onto the airbrush body.

Before Each Session

Spray water or the appropriate cleaning solution through the airbrush to make sure the airbrush is working properly.

After Each Session

Or any time the airbrush becomes clogged:

1. Increase the air pressure.
 2. Spray cleaning solution for a short time.
 3. Clean the needle if necessary.
- Cleaning the airbrush this way helps clean the paint passage, the nozzle and the needle thoroughly. Note: Prolonged use of solvents may cause the solvent-resistant o-ring to swell.

Periodically

To ensure smooth main lever action lubricate the needle and the main lever mechanism when necessary.

1. Unscrew the handle.
2. Loosen the needle chucking nut.
3. Remove the needle.
4. Coat the needle lightly at the front where the taper starts with a high-quality lubricant, like Iwata Lube.
5. Wipe the needle with a soft, clean cloth, leaving a light coat of lube behind.
6. Re-insert the needle gently into the airbrush.
7. Tighten the needle chucking nut.
8. Screw the handle onto the airbrush body.

Use a tiny drop of lube on the main lever's piston. DO NOT over-lube the needle or the main lever mechanism, since it is possible to transfer excess lube into the nozzle causing severe paint flow problems. DO NOT use light machine oil or WD-40 for lubrication. These will cause the needle to stick as it moves through the needle packing o-ring.

CAUTION: If it becomes absolutely necessary to dismantle the airbrush remember that in most situations tools are not needed.



NEVER soak your entire airbrush in any liquid. NEVER store your airbrush with spray medium or cleaning agents in the fluid cup.

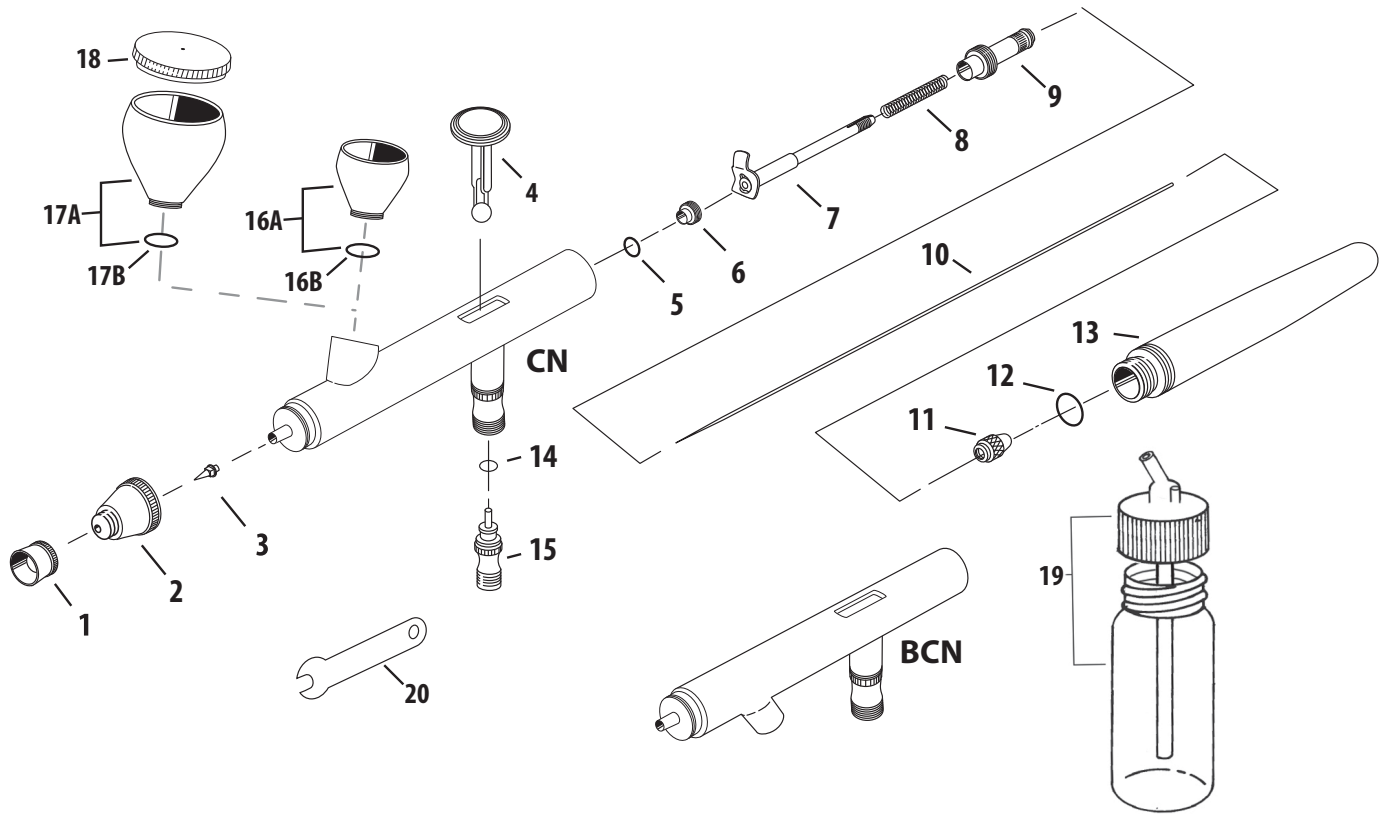
IMPORTANT NOZZLE INFORMATION

Never remove the nozzle unless it is damaged or clogged.

Always keep your airbrush clean. Never leave paint in your airbrush as dried paint can clog a nozzle. Although engineered from durable, high-quality materials, the nozzle is small and delicate. Accidental damage caused by cross-threading, over-tightening, dropping the airbrush, forcing a needle or tools into the nozzle and normal wear are not covered under the warranty. Replacement parts and repair services are available through your local affiliate.

**EFFORTLESS
COVERAGE™**
手頃で手軽

NEO FOR IWATA AIRBRUSH SERIES
BCN / CN



#	ITEM DESCRIPTION	PRICE CODE	ITEM #	BCN	CN
1	Needle Cap	A	N1101	■	■
2	Nozzle Cap	N3	A N1401	x	■
		N5	A N1402	■	x
3	Nozzle	N3	C N0801	x	■
		N5	C N0802	■	x
4	Main Lever	A	N1001	■	■
5	Needle Packing (PTFE)	A	N1501	■	■
6	Needle Packing Screw	A	N1251	■	■
7	Needle Chucking Guide	A	N1151	■	■
8	Needle Spring	A	N1351	■	■
9	Spring Guide	A	N1701	■	■
10	Needle	N3	A N0751	x	■
		N5	A N0752	■	x

#	ITEM DESCRIPTION	PRICE CODE	ITEM #	BCN	CN		
11	Needle Chucking Nut	A	N1201	■	■		
12	Handle O-ring	A	N1051	■	■		
13	Handle	C	N0901	■	■		
14	Air Valve O-ring	A	N1502	■	■		
15	Valve Set With Valve Spring	A	N 0201	■	■		
16A	Cup (Gravity)		0.10 oz / 3 ml	D	N0701	x	■
16B	Cup (Gravity) O-ring		0.10 oz / 3 ml	A	N0712	x	■
17A	Cup (Gravity)		0.24 oz / 7 ml	C	N0702	x	■
17B	Cup (Gravity) O-ring		0.24 oz / 7 ml	A	N0713	x	■
18	Cup (Gravity) Lid		0.24 oz / 7 ml	A	N0954	x	■
19	Bottle		2 oz / 60 ml	-	A4702	■	x
20	Spanner	A	N1651	■	■		

■ = yes x = no OPT = optional

REPLACEMENT PARTS AND ACCESSORIES REFER TO MASTER PARTS LIST ON PAGE 4

Nozzle

In time, the nozzle may wear or be damaged and may need to be replaced.

1. Unscrew the handle.
2. Loosen the needle chucking nut.
3. Gently pull the needle part way back. It doesn't need to be fully pulled out.
4. Unscrew the needle cap and the nozzle cap.
5. Unscrew the nozzle counter-clockwise with the provided wrench.
6. Screw the new nozzle into the airbrush body with your fingers.
7. Slightly tighten the nozzle with the provided wrench.
 - DO NOT OVER TIGHTEN!
8. Screw the needle cap and nozzle cap onto the airbrush body.
9. Push the needle all the way forward until it seats with the new nozzle.
10. Tighten the needle chucking nut.
11. Screw the handle onto the airbrush body.

TIP: Keep a spare nozzle on hand for unforeseen accidents.

Needle

Needles are subject to easy physical damage because of the long tapered, extremely fine tip. If the needle point becomes severely bent, it must be straightened before pulling it back through the nozzle. If not, the bent needle might damage the nozzle as it's pulled through.

TIP: Keep a spare needle on hand for unforeseen accidents.

WARRANTY



All Iwata airbrushes are warranted against all manufacturing defects of material and manufacture or workmanship for a period of FIVE years from date of purchase. This warranty does not cover needles, nozzles, o-rings and internal packings since these parts need to be replaced occasionally due to normal wear. Any other parts or materials that are or become defective so as not to be usable within this period will be repaired or replaced. This warranty does not cover damage caused by negligence or airbrushes which have been altered or abused in any way.

iwata

by ANEST IWATA

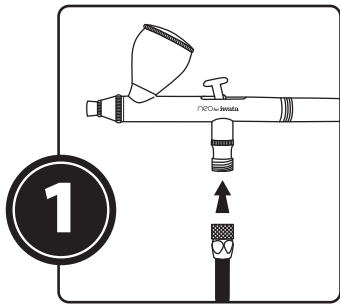
www.iwata-airbrush.com

neo air

for iwata

If you have any issues with this product, call your local ANEST IWATA affiliate BEFORE RETURNING TO YOUR PLACE OF PURCHASE.
 不具合の際は販売店に返送する前に、各エリアのアネスト岩田までご連絡ください。• Per qualsiasi problema, contattare la filiale Anest Iwata di riferimento prima di rivolgersi al rivenditore. • Si tiene algún problema con este producto, llame a su proveedor local ANEST IWATA ANTES DE DEVOLVERLO A SU LUGAR DE COMPRA. • Pour toutes questions sur ce produit, appelez la filiale Iwata la plus proche de chez vous avant de retourner le produit à votre revendeur. • Wenn Sie Probleme mit diesem Produkt haben, benachrichtigen Sie Ihren lokalen ANEST IWATA Partner bevor Sie sich an Ihren Händler wenden. • 如果你对产品有任何问题,请在退回采购处前联系当地ANEST IWATA办事处。

www.iwata-airbrush.com



Choose appropriate international plug • 付属品より適切なプラグを選択してください
 • Spina con adattatore internazionale • Elija el enchufe internacional apropiado.
 • Branchez vous sur un adaptateur international • Wählen Sie den entsprechenden internationalen Stecker • 选择适当的国际插头



Be sure your paint is thinned to the consistency of skim milk. Thick paint may clog your airbrush.

After 10 minutes of continuous use the motor will automatically shut off. Turn back on to use.

塗料が脱脂粉乳程度の粘度まで薄まっていることを確認してください。塗料が濃いとエアブラシが詰まります。

10分連続運転すると自動で止まります。再開するには再びスイッチを入れてください。

Assicuratevi che la vernice sia accuratamente diluita. Usate come termine di paragone il latte scremato. Se la vernice ha una densità maggiore, aumentate la diluizione.

Dopo 10 minuti di uso continuato, il motore si spegnerà automaticamente. Riaccendetelo per riprendere l'utilizzo.

Asegúrese de que su pintura sea adelgazada a la consistencia de la leche descremada. La pintura de viscosidad gruesa puede obstruir su aerógrafo.

Después de 10 minutos de uso continuo, el motor se apagará automáticamente. Prendalo nuevamente si desea continuar su uso.

Assurez vous que votre peinture soit suffisamment liquide proche de la consistance du lait écrémé. De la peinture trop épaisse pourrait obstruer votre aérographe.

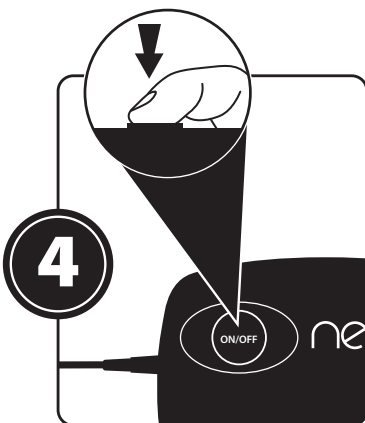
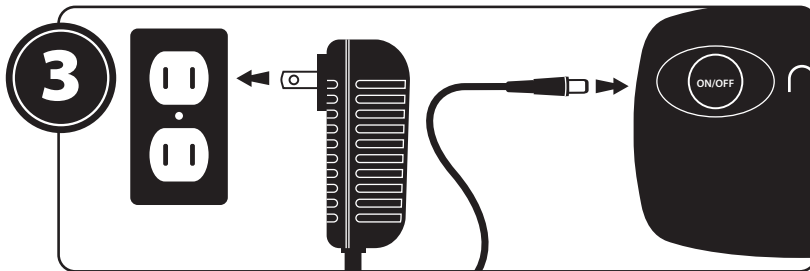
Après 10 minutes d'utilisation continue, le moteur s'arrêtera automatiquement. Revenir sur "marche" pour l'utiliser à nouveau.

Stellen Sie sicher, dass Ihre Farbe auf die Konsistenz von Milch verdünnt wird. Dicke Farbe kann Ihre Airbrushpistole verstopfen.

Nach 10 Minuten Dauerbetrieb wird der Motor automatisch ausgeschaltet. Schalten Sie ihn zur weiteren Nutzung wieder ein.

請確保你使用的顏料濃度適當。太濃稠的顏料需要稀釋再使用,否則會阻塞噴筆

空壓機持續使用10分鐘後會自動停機。重新啟動後即可再開始使用



- 1 - On/Medium (Purple)
- 2 - High (Blue)
- 3 - Low (Red)
- 4 - OFF

- 1 - オン/中(紫)
- 2 - 高(青)
- 3 - 低(赤)
- 4 - オフ

- 1 - On/Medium (viola)
- 2 - Alto (Blu)
- 3 - Basso (Rosso)
- 4 - SPENTO

- 1 - On (Prendido)/Mediano (Purpura)
- 2 - Alto (Azul)
- 3 - Bajo (Rojo)
- 4 - Apagado

- 1 - ON - marche / Moyen (violett)
- 2 - Haut (bleu)
- 3 - Bas (rouge)
- 4 - OFF - arrêt

- 1 - An / mittel (violett)
- 2 - hoch (blau)
- 3 - niedrig (rot)
- 4 - AUS

- 1 - 開/中段(紫色燈)
- 2 - 高段(藍色燈)
- 3 - 低段(紅色燈)
- 4 - 關